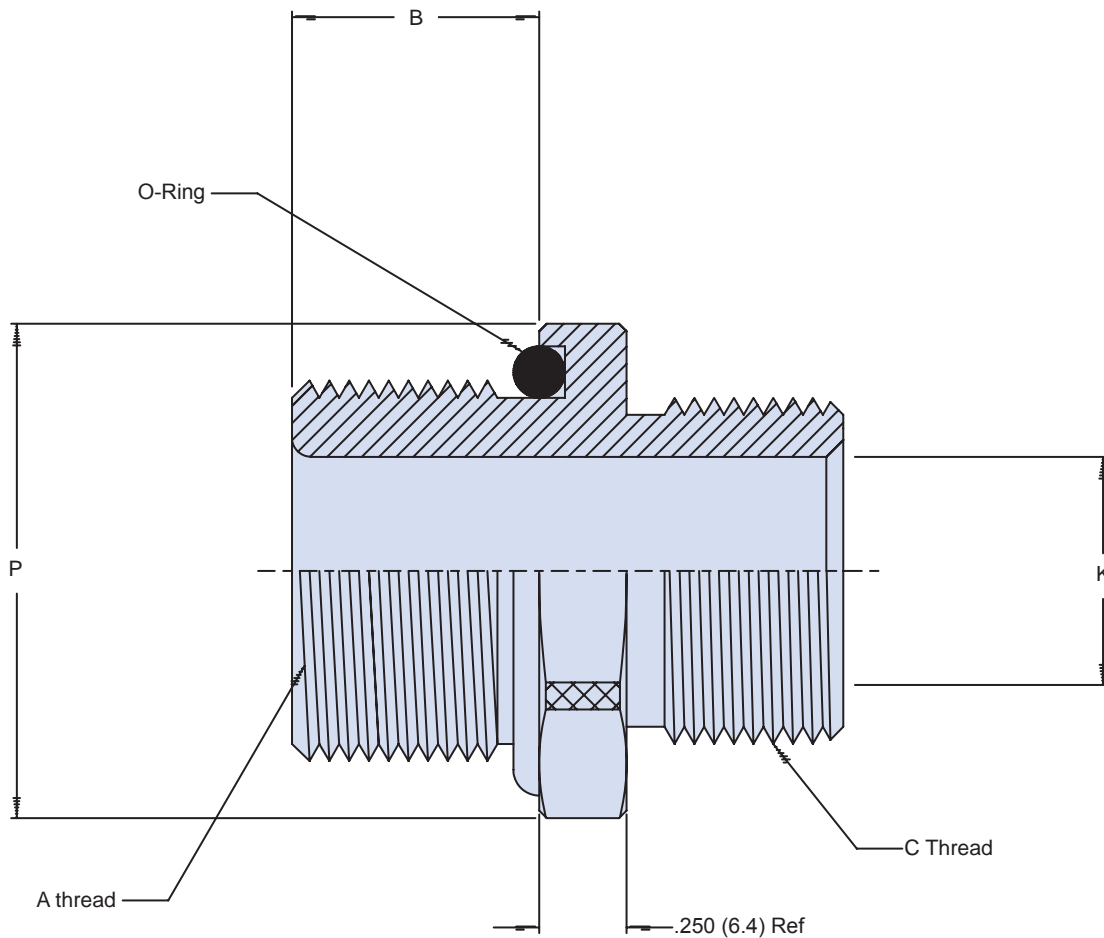
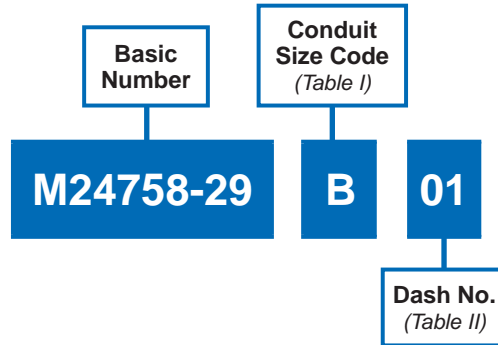


**A**



**MIL-PRF-24758-29  
Adapter for Miscellaneous Termination**



MIL-PRF  
24758A

A

**TABLE I: CONDUIT  
SIZE CODE**

CONDUIT SIZE CODE	C CLASS - 2A THREAD	K DIA MIN
B	.688-24 UNEF	.495 (12.57)
C	.938-20 UNEF	.745 (18.9)

**TABLE II: DASH NUMBER**

DASH NO	A CLASS -2A THREAD	B DIM	P MAX DIA
01	.875-18 UNS	.250 (6.35)	1.280 (32.5)

**APPLICATION NOTES**

1. Assembly identified with manufacturer's code identification number (Glenair, part number and classification code 490).
2. The M24758-29 mates with the Amphenol RJF (Ethernet) connector (replace rear nut with this fitting).
3. Material / Finish:  
Adapter - 316 / electroless nickel, matte finish  
O-Ring - silicone rubber / N.A.
4. Metric dimensions (mm) are indicated in parentheses.