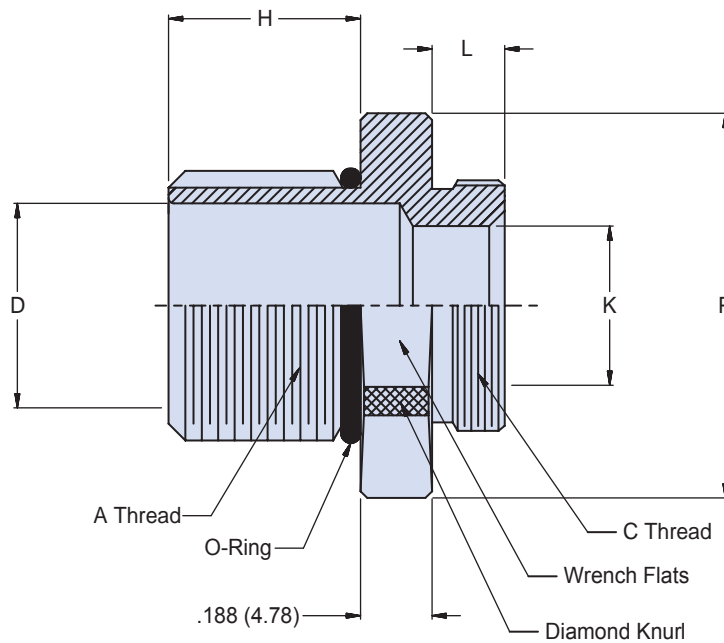
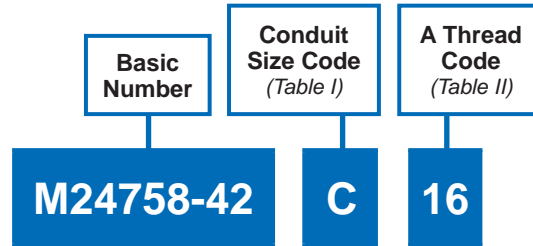


MIL-PRF-24758-42

Straight Adapter for Metric Thread

A



APPLICATION NOTES

1. Assembly identified with manufacturer's code identification number (Glenair, part number and classification code 490).
2. The M24758-42 adapter couples M25758-2, M24758-3 or M24758-4 series fittings.
3. Material / Finish:
Adapter - 316L SST/Electroless nickel matte finish.
O-Ring - Silicone rubber/NA
4. Metric dimensions (mm) are indicated in parentheses.

MIL-PRF-24758-42 Straight Adapter for Metric Thread



MIL-PRF
24758A

A

TABLE I: CONDUIT SIZE CODE

CONDUIT SIZE CODE	C CLASS 2A THREAD	L +.030 (0.76) - .000	K DIA MIN
A	.438-28 UNEF	.210 (5.33)	.245 (6.22)
B	.688-28 UNEF	.250 (6.35)	.495 (12.57)
C	.938-20 UNEF	.310 (7.87)	.745 (18.92)
D	1.250-18 UNEF	.370 (9.40)	.995 (24.88)
E	1.563-18 UNEF	.370 (9.40)	1.245 (31.62)
F	1.875-16 UNEF	.430 (10.92)	1.495 (37.97)
G	2.375-16 UNEF	.430 (10.92)	1.995 (50.67)
H	2.875-16 UNEF	.430 (10.92)	2.495 (63.37)
J	.563-24 UNEF	.250 (6.35)	.370 (9.40)
K	.813-20 UNEF	.310 (7.87)	.620 (15.75)
L	3.375-16 UNEF	.430 (10.92)	2.995 (76.07)

TABLE II: THREAD SIZE CODE AND DIMENSIONS

THREAD SIZE CODE	A THREAD	D DIA	H DIM	P DIM MAX	CONDUIT SIZE
12	M12 X 1.5 6g	.281 (7.14)	.295 (7.49)	.880 (22.35)	.245 (6.22)
16	M16 X 1.5 6g	.438 (11.13)	.295 (7.49)	1.000 (25.40)	.245 (6.22)
20	M20 X 1.5 6g	.594 (15.09)	.295 (7.49)	1.250 (31.75)	.245 (6.22)
25	M25 X 1.5 6g	.781 (19.84)	.295 (7.49)	1.630 (41.40)	.245 (6.22)
32	M32 X 1.5 6g	1.000 (25.40)	.295 (7.49)	2.000 (50.80)	.245 (6.22)
40	M40 X 1.5 6g	1.375 (34.93)	.295 (7.49)	2.440 (61.98)	.245 (6.22)
50	M50 X 1.5 6g	1.750 (44.45)	.295 (7.49)	3.000 (76.20)	.245 (6.22)
63	M63 X 1.5 6g	2.250 (57.15)	.295 (7.49)	3.560 (90.42)	.245 (6.22)