

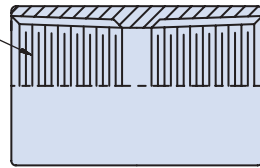
A

Basic
NumberAngular
FunctionDash
Number
(Table I)

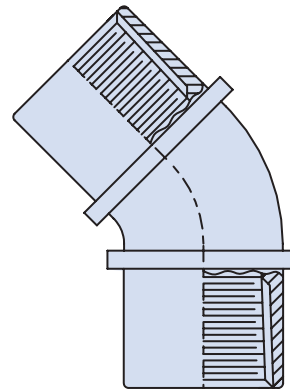
M24758-55

B

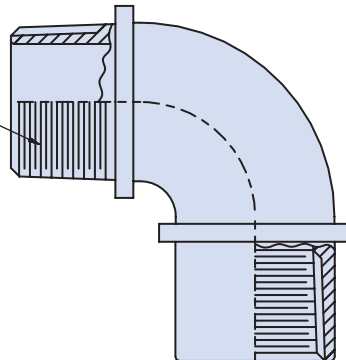
04

A Thread
(Int. NPT)
Typ.

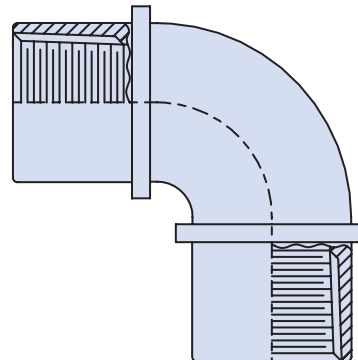
Sym S - Straight



Sym B - 45°

A Thread
(Ext. Npt)

Sym Z - 90°



Sym A - 90°

MIL-PRF-24758-55
Straight, 90° or 45° Adapter
for Tapered Pipe Thread



MIL-PRF
24758A

A

TABLE I: DASH NO.

DASH NUMBER	A EXTERNAL TAPER PIPE THREAD
01	.250-18 NPT
02	.375-18 NPT
03	.500-14 NPT
04	.750-14 NPT
05	1.000-11.5 NPT
06	1.250-11.5 NPT
07	1.500-11.5 NPT
08	2.000-11.5 NPT
09	2.500-8 NPT
10	3.000-8 NPT

APPLICATION NOTES

1. Assembly identified with manufacturer's code identification number (Glenair, part number and classification code 490).
2. Material / Finish:
Adapter - 316L SST/Electroless nickel, matte finish.
3. Metric dimensions (mm) are indicated in parentheses.