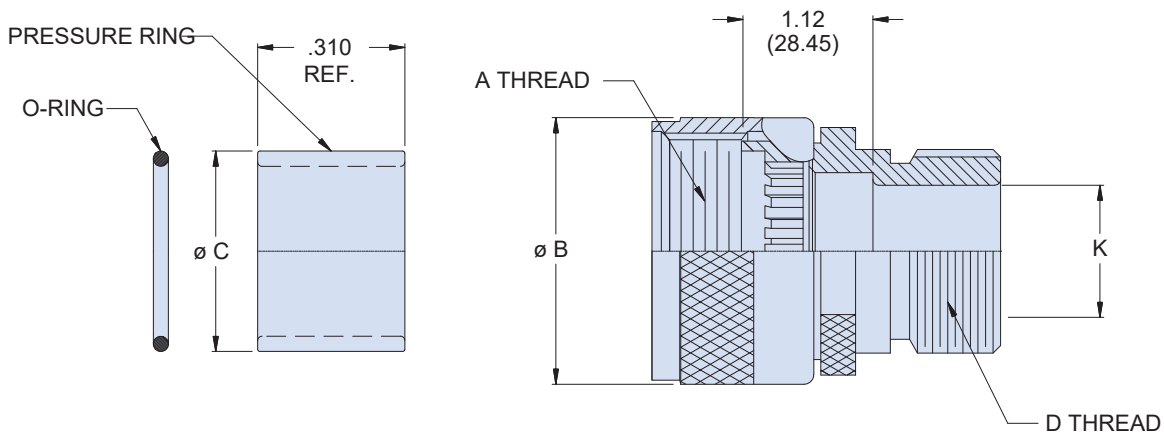
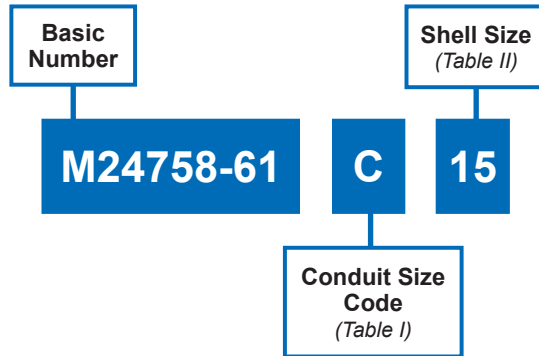


A



MIL-PRF-24758-61
Environmental Adapter for MIL-C-28876 Connectors
for coupling with M24758-2, -3, or -4 fittings



MIL-PRF
24758A

A

TABLE I: Conduit Size Code

CONDUIT SIZE CODE	D CLASS - 2A THREAD	K DIA MIN
A	.438-28 UNEF	.245 (6.22)
B	.688-24 UNEF	.495 (12.57)
C	.938-20 UNEF	.745 (18.92)
D	1.250-18 UNEF	.995 (25.27)
E	1.563-18 UNEF	1.245 (31.62)
F	1.875-16 UN	1.495 (37.97)
G	2.375-16 UN	1.995 (50.67)
H	2.875-16 UN	2.495 (63.37)
J	.563-24 UNEF	.370 (9.40)
K	.813-20 UNEF	.620 (15.75)
L	3.375-16 UN	2.995 (76.07)

TABLE II: Shell Size, Thread, and Dimensions

SHELL SIZE	A THREAD CLASS - 2B	B DIA MAX	C DIA REF
11	.750-20 UNEF	.960 (24.38)	.410 (10.41)
13	.875-20 UNEF	1.085 (27.56)	.532 (13.51)
15	1.000-20 UNEF	1.255 (31.88)	.710 (18.03)
23	1.438-18 UNEF	1.695 (43.05)	1.116 (28.35)

APPLICATION NOTES

1. Assembly identified with manufacturer's code, name and part number, and classification code 490.
2. The M24758-61 adapter provides environmental coupling between MIL-C-28876 connectors and M24758-2, -3, and -4 fittings
3. See Glenair Circular Connector Accessories catalog for recommended torque values, group 2
4. O-ring and pressure ring to be packaged loose, and must be installed onto connector back end at time of assembly.
5. Material / Finish:
Adapter, coupling nut, pressure ring - 316L SST/Electroless Nickel, matte finish
O-Ring - Fluorosilicone/N.A.
6. Metric dimensions (mm) are indicated in parentheses.