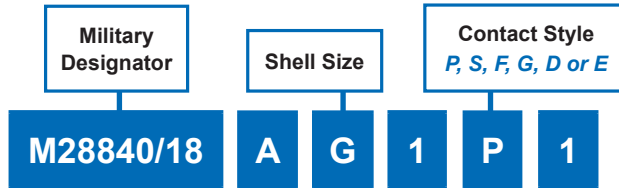


M28840/18 Plug Connector with 90° Strain Relief



MIL-DTL
28840



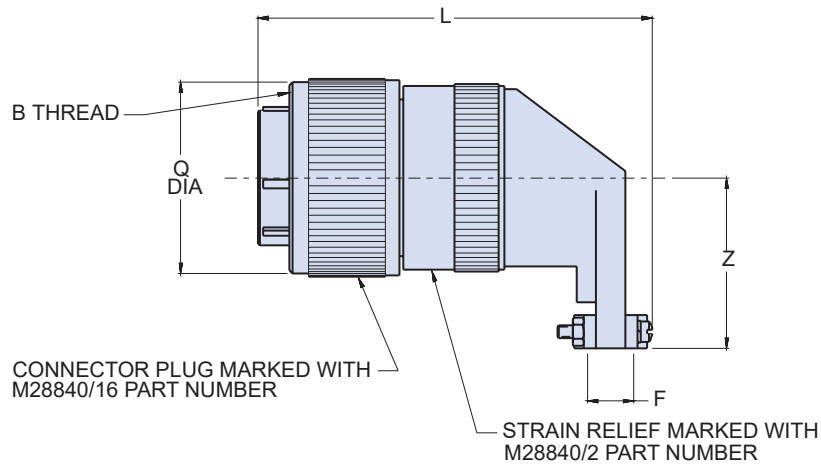
Material and Finish

A - Class D: Aluminum, Cadmium Plate, O.D. over Electroless Nickel
B - Class DS: Corrosion Resistant Steel, Cadmium Plate, Black
L - Class T: Aluminum, Tin-Zinc Plate over Electroless Nickel, Non-Reflective

Insert Arrangement

Key Position
1, 2, 3, 4, 5 and 6

B



Designator	B Thread Class 2B	F Cable Entry		L Max.	Q Max.	Z Max.	Max. O.D. Over Rear Clamps
		Open	Closed				
A (11)	.750-1P-.2L-DS	.286	.177	2.562	1.028	.929	.832
B (13)	.875-1P-.2L-DS	.286		2.562	1.141	.929	
C (15)	1.062-1P-.2L-DS	.416	.250	2.750	1.263	1.056	.989
D (17)	1.125-1P-.2L-DS	.476	.291	2.875	1.387	1.233	1.094
E (19)	1.312-1P-.2L-DS	.626	.348	3.000	1.513	1.296	1.319
F (23)	1.500-1P-.2L-DS	.831	.429	3.125	1.703	1.358	1.557
G (25)	1.625-1P-.2L-DS	.956	.523	3.250	1.825	1.420	1.653
H (29)	1.812-1P-.2L-DS	1.081	.643	3.375	2.143	1.634	1.819
J (33)	2.000-1P-.2L-DS	1.187	.704	3.438	2.329	1.859	2.020