

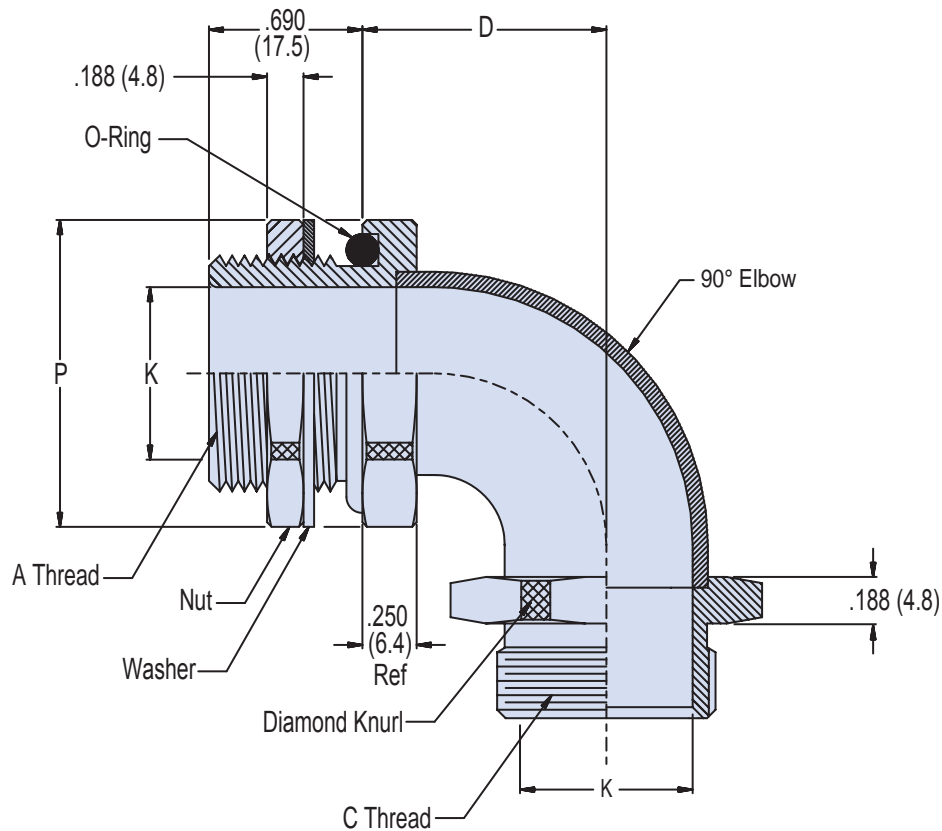
A

Basic  
Number

M24758-33

Conduit  
Size Code  
(Table I)

C



### APPLICATION NOTES

1. Assembly identified with manufacturer's code identification number (Glenair, part number and classification code 490).
2. The M24758-33 adapter provides the capability of terminating a M24758-2 fitting to a thread panel.
3. Material / Finish:  
Adapter, jam nut, elbow - 316 SST/Electroless nickel, matte finish.  
O-Ring - Silicone rubber/NA  
Washer - 316 SST/Passivate
4. Metric dimensions (mm) are indicated in parentheses.

**MIL-PRF-24758-33**  
**90° Elbow for Panel Termination**



MIL-PRF  
24758A

A

**TABLE I**

CONDUIT SIZE CODE	A CLASS - 2A THREAD	P DIA	C CLASS - 2A THREAD	K DIA MIN	D REF
A	.625-24 UNEF	1.000 (25.4)	.438-28 UNEF	.245 (6.2)	.810 (20.6)
B	.875-20 UNEF	1.250 (31.8)	.688-24 UNEF	.495 (12.6)	1.120 (28.5)
C	1.188-18 UNEF	1.562 (39.7)	.938-20 UNEF	.745 (18.9)	1.470 (37.3)
D	1.438-18 UNEF	1.812 (46.2)	1.250-18 UNEF	.995 (25.3)	1.810 (46.0)
E	1.750-16 UN	2.125 (53.9)	1.563-18 UNEF	1.245 (31.6)	2.120 (53.9)
F	2.000-16 UN	2.375 (60.3)	1.875-16 UN	1.495 (38.0)	2.500 (63.5)
G	2.500-16 UN	2.875 (73.3)	2.375-16 UN	1.995 (50.7)	3.120 (79.3)
H	3.000-16 UN	3.375 (85.7)	2.875-16 UN	2.495 (63.4)	3.250 (82.6)
J	.750-20 UNEF	1.125 (28.6)	.563-24 UNEF	.370 (9.4)	.930 (23.6)
K	1.000-20 UNEF	1.500 (38.1)	.813-20 UNEF	0.620 (15.8)	1.250 (31.8)
L	3.500-16 UN	3.875 (98.4)	3.375-16 UN	2.995 (76.1)	4.500 (114.3)