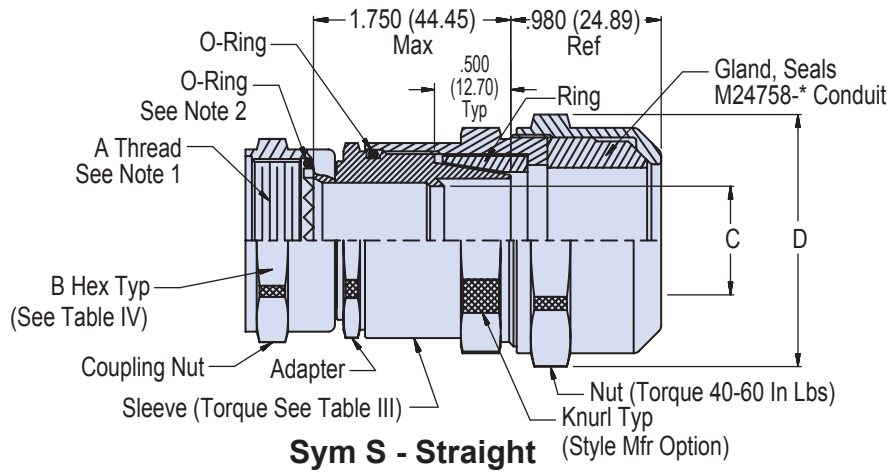
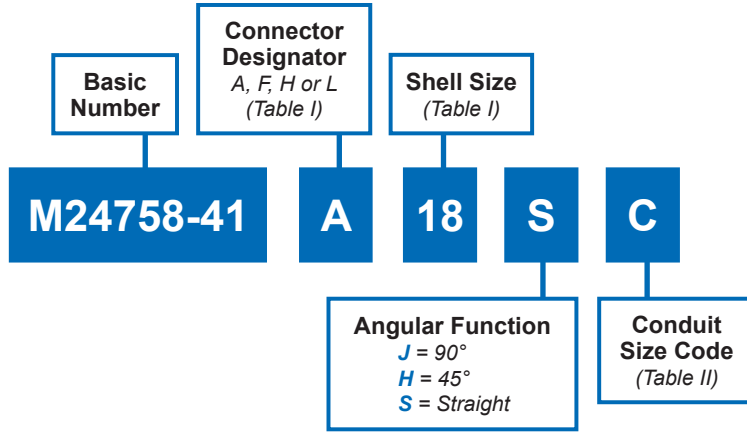
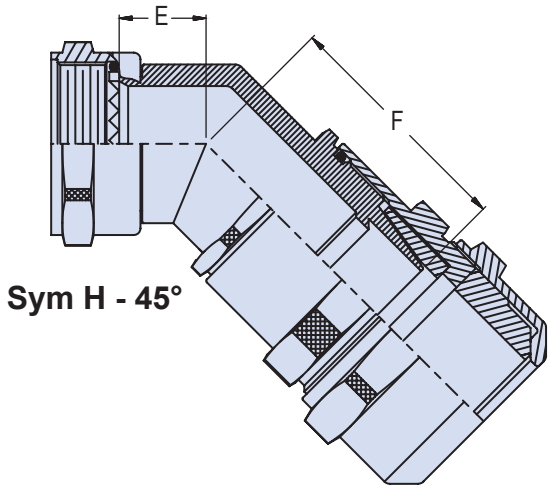


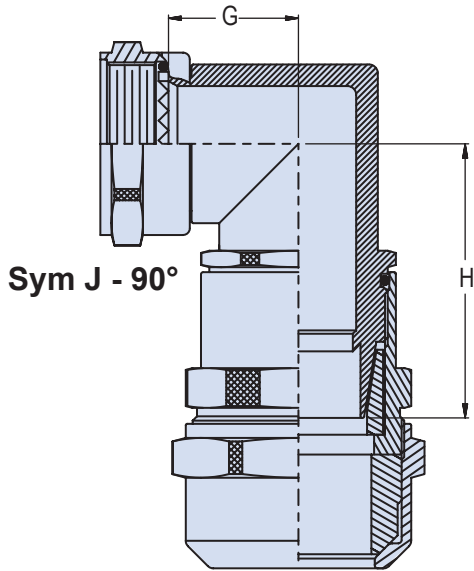
**A**



**Sym S - Straight**



**Sym H - 45°**



**Sym J - 90°**

# MIL-PRF-24758-41

## 90°, 45° or Straight User Installable Connector Adapters for Glenair MIL-PRF-24758 Series Conduit



MIL-PRF  
24758A

A

**TABLE I: SHELL SIZE AND DIMENSIONS**

SHELL SIZE		E MAX	F MAX	G MAX	H MAX	MAX CONDUIT SIZE CODE (See Note 3)
A, F, L	H					
08	09	.740 (18.80)	1.660 (42.16)	.950 (24.13)	1.970 (50.04)	J .375 (9.53)
10/11	11	.760 (19.30)	1.700 (43.18)	1.020 (25.91)	2.070 (52.58)	B .500 (12.70)
12/13	13	.790 (20.07)	1.730 (43.94)	1.120 (28.45)	2.140 (54.36)	K .625 (15.88)
14/13	15	.830 (21.08)	1.780 (45.21)	1.190 (30.23)	2.210 (56.13)	C .750 (19.05)
16/17	17	.880 (22.35)	1.850 (46.99)	1.320 (33.53)	2.380 (60.45)	D 1.000 (25.40)
18/19	19	.880 (22.35)	1.850 (46.99)	1.320 (33.53)	2.380 (60.45)	D 1.000 (25.40)
20/21	21	1.070 (27.18)	1.910 (48.51)	1.520 (38.61)	2.520 (64.01)	E 1.250 (31.75)
22/23	23	1.070 (27.18)	1.910 (48.51)	1.520 (38.61)	2.520 (64.01)	E 1.250 (31.75)
24/25	25	1.160 (29.46)	2.010 (51.05)	1.660 (42.16)	2.730 (69.34)	F 1.500 (38.10)
28		1.160 (29.46)	2.010 (51.05)	1.660 (42.16)	2.730 (69.34)	F 1.500 (38.10)
32		1.260 (32.00)	2.110 (53.59)	1.990 (50.55)	3.090 (78.49)	G 2.000 (50.80)
36		1.260 (32.00)	2.110 (53.59)	1.990 (50.55)	3.090 (78.49)	G 2.000 (50.80)
40		1.310 (33.27)	2.180 (55.37)	2.260 (57.40)	3.210 (81.53)	H 2.500 (63.50)
44		1.310 (33.27)	2.180 (55.37)	2.260 (57.40)	3.210 (81.53)	H 2.500 (63.50)
48		1.420 (36.07)	2.290 (58.17)	2.570 (65.28)	3.420 (86.87)	L 3.000 (76.20)
61		1.070 (27.18)	1.910 (48.51)	1.520 (38.61)	2.520 (64.01)	E 1.250 (31.75)

**TABLE IV**

SHELL SIZE		B HEX
A, F, L	H	
08		.625 (15.88)
	09	.687 (17.45)
10/11		.750 (19.05)
	11	.812 (20.62)
12/13		.875 (22.23)
	13	.937 (23.80)
14/15		1.000 (25.40)
	15	1.062 (26.97)
16/17		1.125 (28.58)
	17	1.250 (31.75)
18/19		1.187 (30.15)
	19	1.375 (34.93)
20/21		1.312 (33.32)
	21	1.500 (38.10)
22/23		1.437 (36.50)
	23	1.625 (41.28)
24/25		1.562 (39.67)
	25	1.750 (44.45)
28		1.875 (47.63)
32		2.125 (53.98)
36		2.375 (60.33)
40		2.625 (66.68)
44		3.000 (76.20)
48		3.250 (82.55)
61		1.625 (41.28)

**TABLE II**

CONDUIT SIZE CODE	C I.D.	D MAX
A	.250 (6.350)	1.140 (28.96)
J	.375 (9.525)	1.340 (34.04)
B	.500 (12.70)	1.460 (37.08)
K	.625 (15.88)	1.650 (41.91)
C	.750 (19.05)	1.780 (45.21)
D	1.000 (25.40)	2.030 (51.56)
E	1.250 (31.75)	2.280 (57.91)
F	1.500 (38.10)	2.530 (64.26)
G	2.000 (50.80)	3.140 (79.76)
H	2.500 (63.50)	3.650 (92.71)
L	3.000 (76.20)	4.150 (105.41)

**TABLE III  
RECOMMENDED  
SLEEVE TORQUE**

CONDUIT SIZE CODE	± 5 INCH POUNDS
A	120
J	140
B	150
K	170
C	170
D	170
E	170
F	170
G	120
H	140
L	170

### APPLICATION NOTES

- See the Common Accessory Interface Data Table on page G-2 in this catalog.
- O-Ring not supplied with connector designator A.
- When maximum conduit size code is exceeded, dimensions E, F, G and H may be exceeded. Consult factory for dimensions.
- Assembly identified with manufacturer's code identification number (Glenair, part number and classification code 490).
- Glenair Series 600 Backshell Assembly Tools are recommended for assembly and installation.
- Material / Finish:  
Coupling nuts, adapters, nuts, sleeves, elbows and rings - 316L SST/  
Electroless nickel, matte finish.  
O-Ring and gland - Silicone rubber/NA
- Metric dimensions (mm) are indicated in parentheses.