

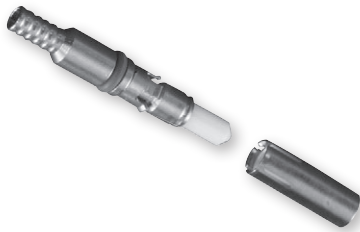

**Size 16 M29504/15 fiber optic socket terminus for MIL-PRF-28876 connectors**


Table I: Part Number				
Mil-Spec Part Number	ØA (Microns)	Fiber Type	Fiber Size Core/Cladding (Microns)	Commercial Part Number
M29504/15-4180C	125.0	Single Mode	9/125	<b>181-040-1250C</b>
Not listed in Mil-Spec	125.5	Single Mode	9/125	<b>181-040-1255C</b>
M29504/15-4181C	126.0	Single Mode	9/125	<b>181-040-1260C</b>
M29504/15-4171C	126.0	Multi Mode	50/125, 62.5/125	<b>181-040-1260C</b>
M29504/15-4172C	127.0	Multi Mode	50/125, 62.5/125	<b>181-040-1270C</b>
M29504/15-4175C	142.0	Multi Mode	100/140	<b>181-040-1420C</b>

Consult factory for additional sizes and QPL status.

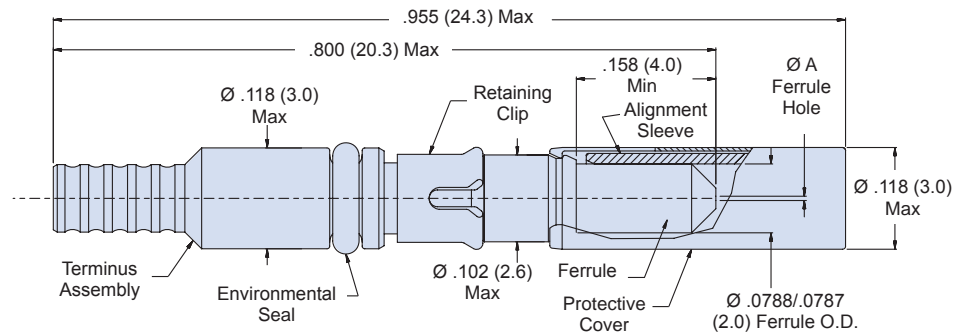
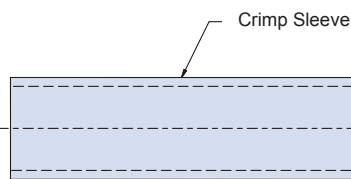


Table II: Tools and Accessories	
Part Number	Description
<b>265-008</b>	Crimp Sleeve Ø 2.4mm Max Jacket (Mil-Spec Type)
<b>265-010</b>	Alignment Sleeve Assembly
<b>182-012</b>	Crimp Tool
<b>182-013</b>	Insertion Tool, Straight
<b>182-014</b>	Insertion Tool, 90°
<b>182-015</b>	Removal Tool
<b>182-016</b>	Alignment Sleeve Assembly Insertion/Removal Tool
<b>182-035</b>	Hand Polishing Tool

**Material and Finish**

Alignment Sleeve, Ferrule: Zirconia Ceramic  
 Protective cover: Spring Alloy / Nickel  
 Terminus Assembly: Stainless Steel / Passivate  
 Retaining Clip: Spring Alloy  
 Seal: Fluorosilicone  
 Crimp Sleeve: Brass Alloy / Nickel

**Notes**

- Crimp sleeve is supplied with terminus assembly and may be ordered separately (see Table II). For terminus less crimp sleeve omit **C** from end of part number.
- Alignment sleeve assembly is supplied with terminus assembly (packaged loose) and may be ordered separately (see Table II). For terminus less alignment sleeve assembly, add **N** to end of part number (e.g. 181-040-1260CN).
- See Glenair GAP-036 for termination procedure and assembly tools.
- Dummy Terminus: Part Number 181-051 or M29504/3-4038.