



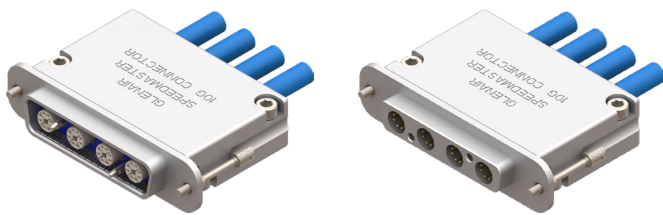
SERIES 28

HiPer-D M24308 connectors with SpeedMaster™ 10G high-speed contacts



HiPer-D In-Line Cable Connectors - How to Order

Part Number Development						
Sample Part Number	280-101M	4	P	MT	N	-1
Series	280-101M = In-line cable plug 280-098F = In-line cable receptacle					
Cavity Count	2 = 2 Cavities 4 = 4 Cavities					
Module Type	P = Pin S = Socket A = Less contacts; see note 1					
Material and Finish	NF = Aluminum alloy / Cadmium olive drab over electroless nickel MT = Aluminum alloy / nickel-PTFE ME = Aluminum alloy / electroless nickel ZR = Aluminum alloy / zinc nickel black RoHs compliant					
Hardware Options	P, L, K, S, T or N (no hardware)					
Cable Size	See cable size table; omit for preterminated contact modules					



Cables*					
Cable P/N	Cable Category	Cable Construction	Wire Gage	Cable Dia.	Assembly Instructions
963-003-24	Cat 6A	SF/UTP	24	.280 (7.11)	AI85082
963-003-26	Cat 6A	SF/UTP	26	.220 (5.59)	
963-037	Cat 6A	SF/UTP	24	.260 (6.60)	

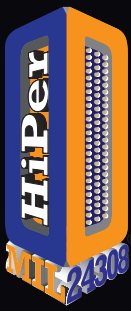
*Contact factory to inquire about use with other cables

Mating Hardware		
P Female Jackpost	L Captive Jackscrew, Hex Head, Low Profile	K Slot-Head Extended Jackscrew
S Captive Screwlock, Hex Head, Low Profile		T Slot-Head Extended Length, Screwlock

Cable Size	
Cable Size	Cable Diameter
1	.280 (7.11)
2	.274 (6.96)
3	.260 (6.60)
4	.250 (6.35)
5	.240 (6.10)
6	.230 (5.84)
7	.220 (5.59)

NOTES

- Spare high-speed modules (858-100, 858-101) may be ordered separately. Module wrench tool (607-011) supplied with each connector. Select the "less contacts (A)" option when ordering pre-terminated cable to SpeedMaster contacts listed on page 6 and 7. Omit cable size from part number development when selecting the "less contact" option from the module type of the part number development.
- See Assembly instructions AI 85082 for high-speed module terminations. See assembly instructions AI85089 for module installation.
- See page 8 for SpeedMaster module inner contact pinout
- For cables in-between sizes, select smaller size. Maximum cable diameter is .280 (7.11)
- Material / Finish:
 - Shells: see part number development table
 - Hardware: stainless steel - passivated
 - Grounding spring: BeCu alloy / electroless nickel
 - Seals, o-ring: fluorosilicone blend / N.A.



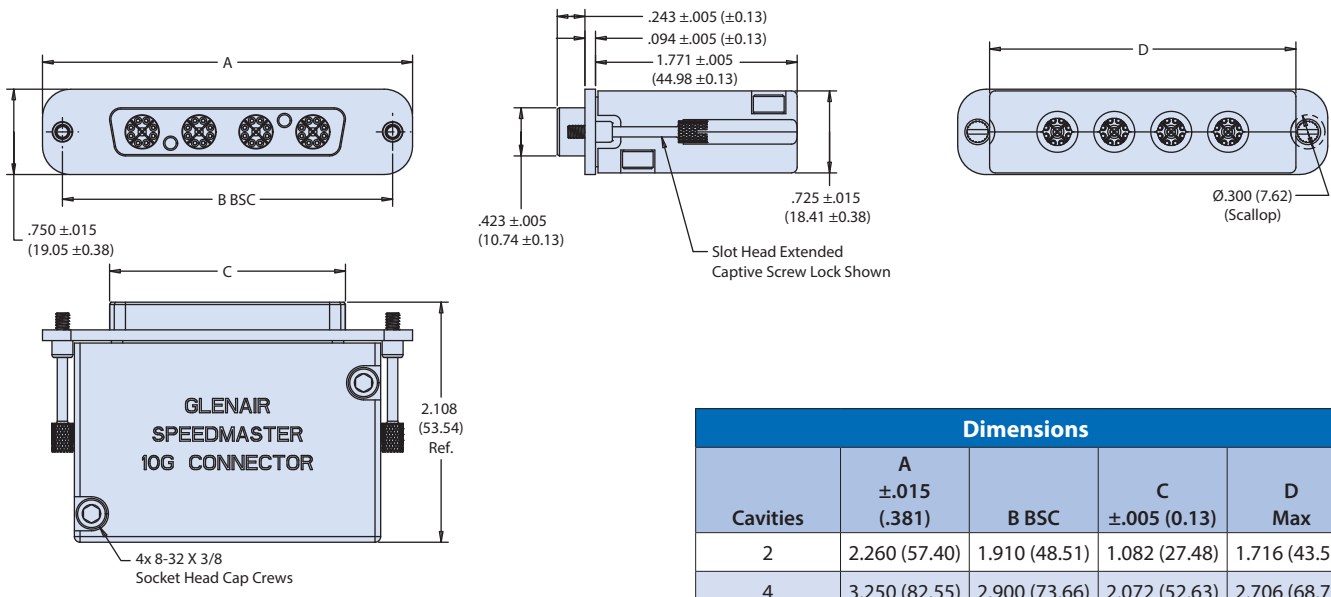
SERIES 28



HiPer-D M24308 connectors with SpeedMaster™ 10G high-speed contacts

HiPer-D In-Line Cable Connectors - How to Order

280-101 HIPER-D IN-LINE CONNECTOR, RECEPTACLE



280-098 HIPER-D IN-LINE CONNECTOR, PLUG

