

SuperNine MT Fiber Optic Connectors



189-136 EMI/environmental backshell with banding porch and strain relief



How To Order										
Sample Part Number	189	H	S	136	M	17	11	-3	D	K
Basic Part Number	EMI/environmental backshell									
Connector Designator	H = MIL-DTL-38999, Ser. III									
Angular Function	S = Straight M = 45° N = 90°									
Basic No.	136									
Material/Finish Code	See Table II									
Shell Size	See Table I									
Dash No.	See Table III									
Length in 1/2 inch increments	Example: 3 = 1.5 inches									
Fitting Option	D = Dome Fitting F = Flex Fitting									
Band Option	B = Band (Uncoiled) K = Band (Pre-coiled) Omit for none									

Shell Size	A Thread Isometric	B Max	C Max	D Max	E Max	F Max	G ±.015	Max Entry Size Table III
11	M15 x 1 - 6H	1.00	.861	1.111	1.563	1.875	.437	08
13	M18 x 1 - 6H	1.13	.911	1.161	1.938	2.250	.562	10
15	M22 x 1 - 6H	1.22	.965	1.215	1.938	2.250	.678	10
17	M25 x 1 - 6H	1.35	1.014	1.264	2.063	2.375	.812	10

Code	Material	Finish Description
ME	AL Alloy	Electroless Nickel
MT		Nickel-PTFE, Grey
NF		Cadmium, Olive Drab
ZR		Zinc-Nickel, Black
Z1	Stainless	Passivate
ZL	Steel	Electro-Deposited Nickel

Dash No.	Cable Sealing Range	T DIA ±.005	V DIA Max	W Hex	X Dim	Y Dim	Z Max	C2 Max	D2 Max	E2 Max	F2 Max	G2 ±.015	MIL-I-23053 Shrink Sleeve	MIL-I-23053 Shrink Sleeve
06	.16/.31	.31	.93	.75	2.5	.87	N/A	N/A	N/A	N/A	N/A	N/A	/4-204-0	/4-203-0
07	.20/.38	.38	.99	.87	3.1	.98	N/A	N/A	N/A	N/A	N/A	N/A	/4-204-0	/4-203-0
08	.24/.44	.44	1.05	.94	3.6	1.06	N/A	N/A	N/A	N/A	N/A	N/A	/4-204-0	/4-203-0
09	.39/.50	.50	1.12	1.06	4.0	1.10	1.13	.911	1.161	1.938	2.250	.562	/4-205-0	/4-204-0
10	.39/.56	.56	1.18	1.06	4.0	1.10	1.22	.911	1.161	1.938	2.250	.678	/4-205-0	/4-204-0

NOTES

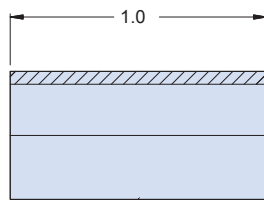
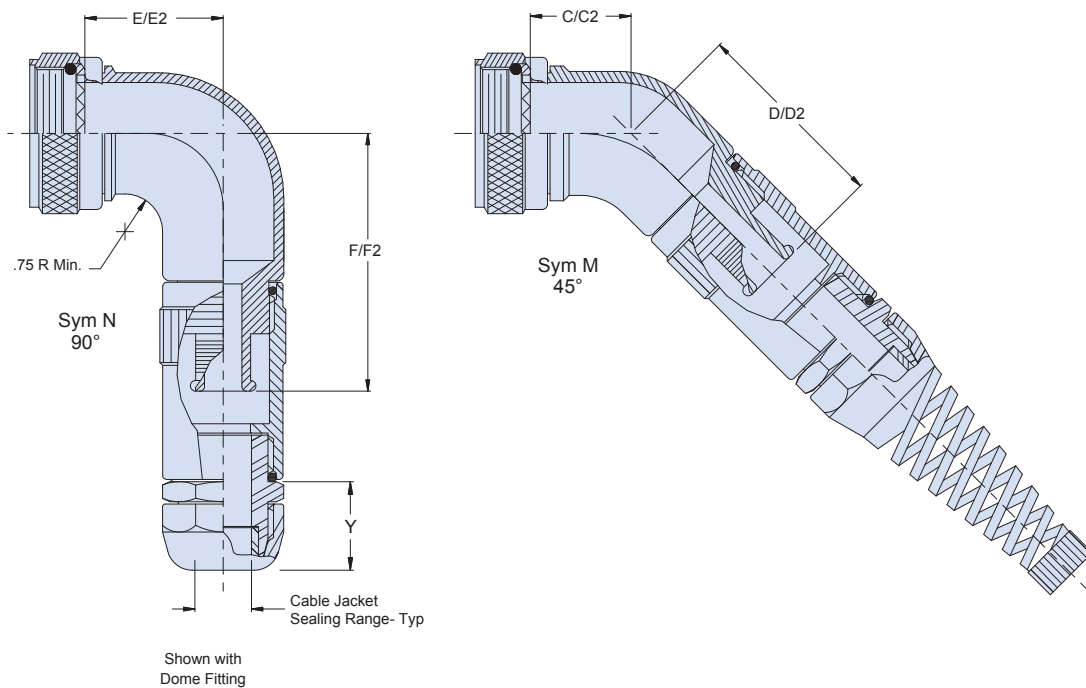
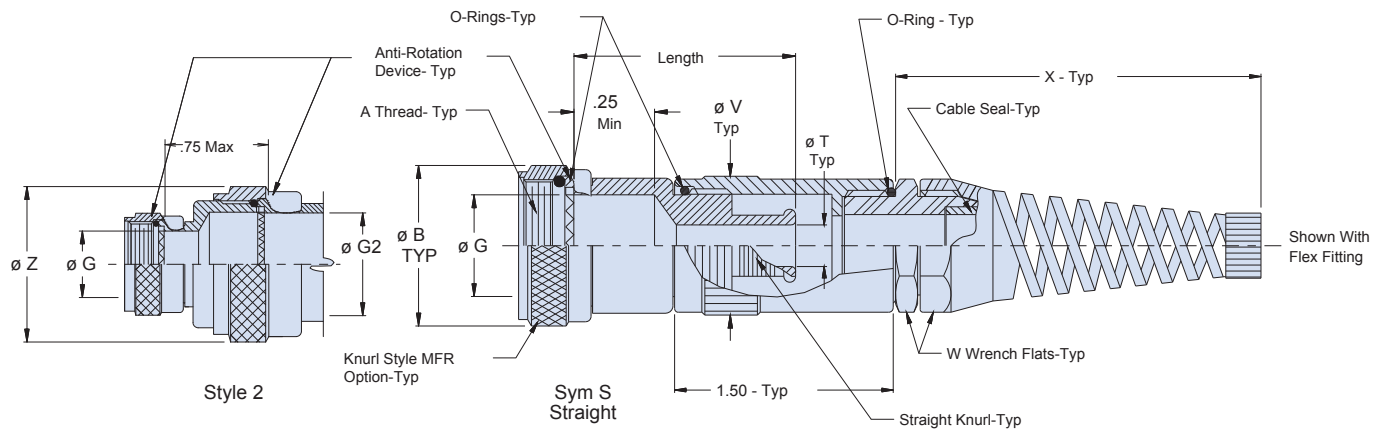
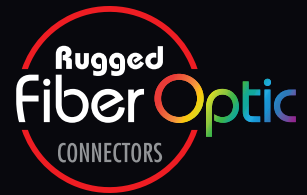
Glenair 600 series backshell assembly tools are recommended for assembly and installation. When maximum cable range Table III exceeds ØG, Style II will be supplied. Standard minimum length: 1.5 inches; for a shorter length, consult the factory. Material/Finish:

- Adapter, coupling nut: See Table II
- Strain relief components: Nylon 6/6 (flame resistant/zero halogen)
- Anti-rotation device: High-grade engineering plastic
- O-rings: Fluorosilicone/N.A.

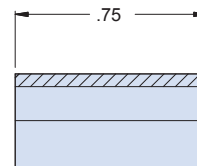
SERIES 183-002

SuperNine MT Fiber Optic Connectors

189-136 EMI/environmental backshell with banding porch and strain relief



Shrink Sleeving
MIL-I-23053/4



Shrink Sleeving
MIL-I-23053/4