

**MIL-DTL-38999 Series III Type**

**233-267 PC tail receptacles with threaded stand-off**

Part Number Development								
Sample Part Number	233-267			-H7	ZL	9-35	C	N
Series / Basic Part No.	Series 23 SuperNine Hermetic							
Connector Style	H7 = Jam-Nut Mount DH7 = Dual O-ring, Jam-Nut Mount H2 = Box Mount							
Finish*	Z1 = CRES, Passivated ZL = CRES, Nickel Finish							
Shell Size/Insert Arrangement*	Per MIL-DTL-38999/MIL-STD-1560							
Contact Configuration	C = Pin, Feed-thru D = Socket, Feed-thru							
Polarization*	A, B, C, D, E, N = Normal							

\*Refer to Section A for standard insert arrangements and pages D-8 thru D-10 for special shielded contact arrangements, consult factory for additional options  
Modification codes may be added directly to the end of any valid part number

**Material/finish:**

- Shell and jam-nut (H7 and DH7):  
300 series CRES/per part number development
- Contacts, pin: nickel iron alloy/gold plated
- Contacts, socket: copper alloy/gold plated
- Insulator, pins: vitreous glass
- Insulator socket: high grade rigid dielectric
- Seals: fluorosilicone blend
- O-ring (jam-nut only): silver plated aluminum in fluorosilicone (cho-seal 1298 or equivalent)

PC Tail Diameter	
Contact Size	PC Tail ØL
No 23	.020 (0.51) .018 (0.46)
No 22	.020 (0.51) .018 (0.46)
No 20	.030 (0.76) .028 (0.71)
No 16	.040 (1.02) .038 (0.97)
No 12	.072 (1.83) .070 (1.78)

**NOTES**

1. Glenair 233-267-DH7, H7 and H2 receptacle connectors are designed to meet or exceed the mechanical and dimensional requirements of MIL-DTL-38999, D38999/23, D38999/21 and MIL-STD1560 except as shown and/or noted. Receptacle mates with any QPL manufacturer's MIL-DTL-38999, series III plug connector, D38999/26, having the same shell size, insert arrangement and polarization

**Test Requirements**

DWV Voltage Levels at Sea Level

Service rating	Voltage AC RMS 60HZ
M	1300 VAC
I	1800 VAC
II	2300 VAC
N	1000 VAC

**I.R.** - 5 Gigohms min. @ 500 VDC

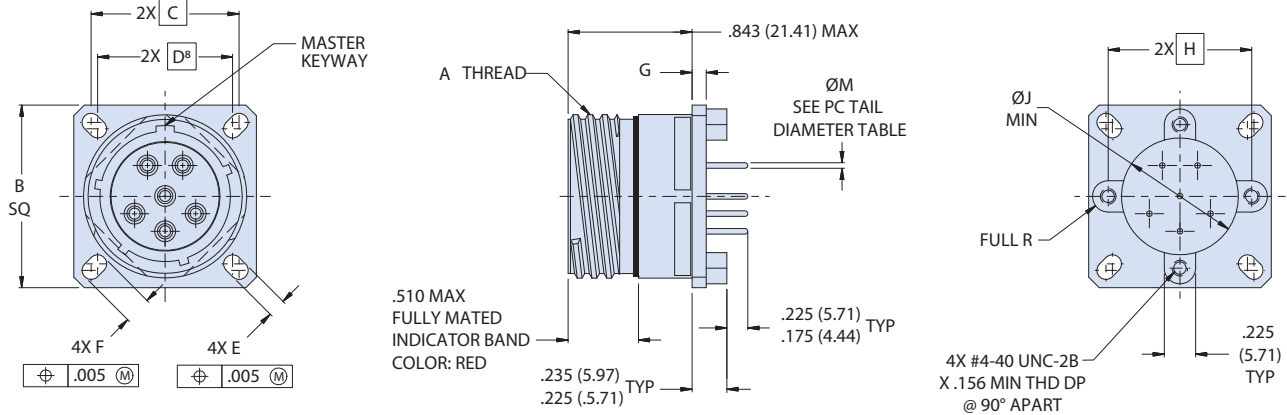
**Hermeticity** - <1 x 10<sup>-7</sup> ccHe/sec @ 1 ATM, delta pressure

## MIL-DTL-38999 Series III Type

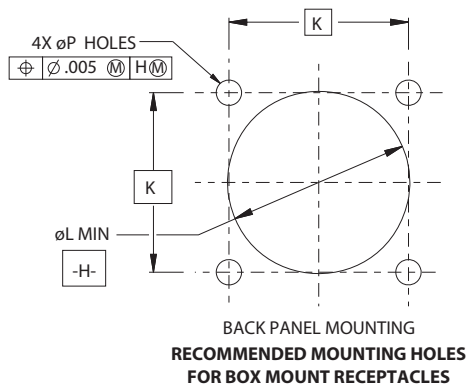
### 233-267 PC tail receptacles with threaded stand-off

HERMETIC CONNECTORS

#### 233-267-H2 BOX MOUNT RECEPTACLE



Dimensions										
SHELL SIZE CODE	SHELL SIZE	A THREAD 0.1P-0.3L-TS-2A	B SQ	C BSC	D BSC	E	F	G	H BSC	ØJ MIN
A	9	.6250	.948 (24.08) .925 (23.50)	.719 (18.26)	.594 (15.09)	.136 (3.45) .120 (3.05)	.224 (5.69) .208 (5.28)	.102 (2.59) .075 (1.90)	.594 (15.09)	.340 (8.64)
B	11	.7500	1.043 (26.49) 1.019 (25.88)	.812 (20.62)	.719 (18.26)		.202 (5.13) .186 (4.72)		.719 (18.26)	.468 (11.89)
C	13	.8750	1.137 (28.88) 1.114 (28.30)	.906 (23.01)	.812 (20.62)		.181 (4.60) .165 (4.19)		.812 (20.62)	.572 (14.53)
D	15	1.0000	1.232 (31.29) 1.208 (30.68)	.969 (24.61)	.906 (23.01)		.202 (5.13) .186 (4.72)		1.030 (26.16)	.705 (17.91)
E	17	1.1875	1.323 (33.60) 1.299 (32.99)	1.062 (26.97)	.969 (24.61)		1.150 (29.21)		1.030 (26.16)	.830 (21.08)
F	19	1.2500	1.449 (36.80) 1.425 (36.20)	1.156 (29.36)	1.062 (26.97)		1.150 (29.21)		1.150 (29.21)	.934 (23.72)
G	21	1.3750	1.575 (40.00) 1.551 (39.40)	1.250 (31.75)	1.156 (29.36)		1.221 (31.01)		1.221 (31.01)	1.055 (26.80)
H	23	1.5000	1.701 (43.21) 1.677 (42.60)	1.375 (34.92)	1.250 (31.75)	.162 (4.11)	.250 (6.35) .234 (5.94)	1.360 (34.54)	1.160 (29.46)	
J	25	1.6250	1.823 (46.30) 1.799 (45.69)	1.500 (38.10)	1.375 (34.92)	.146 (3.71)	.234 (5.94)	1.475 (37.47)	1.307 (33.20)	

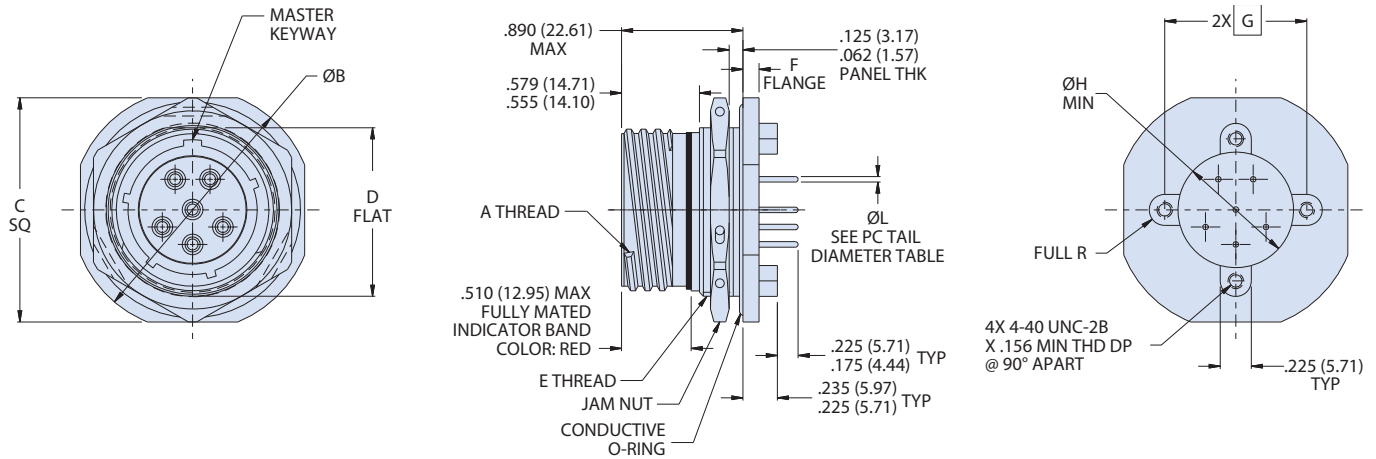


Box Mount, Mounting Hole Dimensions				
SHELL SIZE CODE	SHELL SIZE	K BSC	ø L MIN	ø P HOLES
A	9	.719 (18.26)	.656 (16.66)	.133 (3.38) .123 (3.12)
B	11	.812 (20.62)	.781 (19.84)	
C	13	.906 (23.01)	.921 (23.39)	
D	15	.969 (24.61)	1.047 (26.59)	
E	17	1.062 (26.97)	1.218 (30.94)	
F	19	1.156 (29.36)	1.296 (32.92)	
G	21	1.250 (31.75)	1.421 (36.09)	
H	23	1.375 (34.92)	1.546 (39.27)	.159 (4.04)
J	25	1.500 (38.10)	1.672 (42.47)	.149 (3.78)

## MIL-DTL-38999 Series III Type

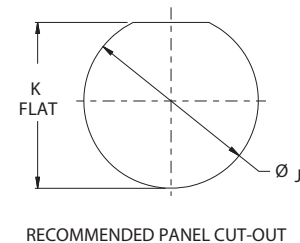
### 233-267 PC tail receptacles with threaded stand-off

#### 233-267-H7 JAM-NUT RECEPTACLE



Dimensions									
SHELL SIZE CODE	SHELL SIZE	A THREAD .1P-.3L-TS-2A	ØB	C SQ	D FLAT	E THREAD ISO METRIC	F	G BSC	ØH MIN
A	9	.6250	1.200 (30.48) 1.178 (29.92)	1.078 (27.38) 1.048 (26.62)	.654 (16.61) .645 (16.38)	M17 X 1.0-6g	.122 (3.10) .083 (2.11)	.594 (15.09)	.340 (8.64)
B	11	.7500	1.386 (35.20) 1.362 (34.59)	1.268 (32.21) 1.236 (31.39)	.755 (19.18) .745 (18.92)	M20 X 1.0-6g		.719 (18.26)	.468 (11.89)
C	13	.8750	1.512 (38.40) 1.488 (37.80)	1.390 (35.31) 1.358 (34.49)	.942 (23.93) .932 (23.67)	M25 X 1.0-6g		.812 (20.62)	.572 (14.53)
D	15	1.0000	1.638 (41.61) 1.614 (41.00)	1.516 (38.51) 1.484 (37.69)	1.066 (27.08) 1.056 (26.82)	M28 X 1.0-6g		.906 (23.01)	.705 (17.91)
E	17	1.1875	1.764 (44.81) 1.740 (44.20)	1.642 (41.71) 1.610 (40.89)	1.191 (30.25) 1.181 (30.00)	M32 X 1.0-6g		1.030 (26.16)	.830 (21.08)
F	19	1.2500	1.949 (49.50) 1.925 (48.90)	1.827 (46.41) 1.795 (45.59)	1.316 (33.43) 1.306 (33.17)	M35 X 1.0-6g	.153 (3.89) .114 (2.90)	1.150 (29.21)	.934 (23.72)
G	21	1.3750	2.075 (52.71) 2.051 (52.10)	1.953 (49.61) 1.921 (48.79)	1.441 (36.60) 1.431 (36.35)	M38 X 1.0-6g		1.221 (31.01)	1.055 (26.80)
H	23	1.5000	2.201 (55.91) 2.177 (55.30)	2.079 (52.81) 2.047 (51.99)	1.566 (39.78) 1.556 (39.52)	M41 X 1.0-6g		1.360 (34.54)	1.160 (29.46)
J	25	1.6250	2.323 (59.00) 2.299 (58.39)	2.205 (56.01) 2.173 (55.19)	1.691 (42.95) 1.681 (42.70)	M44 X 1.0-6g		1.475 (37.47)	1.307 (33.20)

Jam-Nut and Dual O-ring Jam-Nut Panel Cut-Out Dimensions			
SHELL SIZE CODE	SHELL SIZE	ØJ	K FLAT
A	9	.703 (17.86); .693 (17.60)	.661 (16.79); .655 (16.64)
B	11	.835 (21.21); .825 (20.96)	.771 (19.58); .761 (19.33)
C	13	1.020 (25.91); 1.010 (25.65)	.955 (24.26); .945 (24.00)
D	15	1.145 (29.08); 1.135 (28.83)	1.085 (27.56); 1.075 (27.30)
E	17	1.270 (32.26); 1.260 (32.00)	1.210 (30.73); 1.200 (30.48)
F	19	1.395 (35.43); 1.385 (35.18)	1.335 (33.91); 1.325 (33.65)
G	21	1.520 (38.61); 1.510 (38.35)	1.460 (37.08); 1.450 (36.83)
H	23	1.645 (41.78); 1.635 (41.53)	1.585 (40.26); 1.575 (40.00)
J	25	1.770 (44.96); 1.760 (44.70)	1.710 (43.43); 1.700 (43.18)



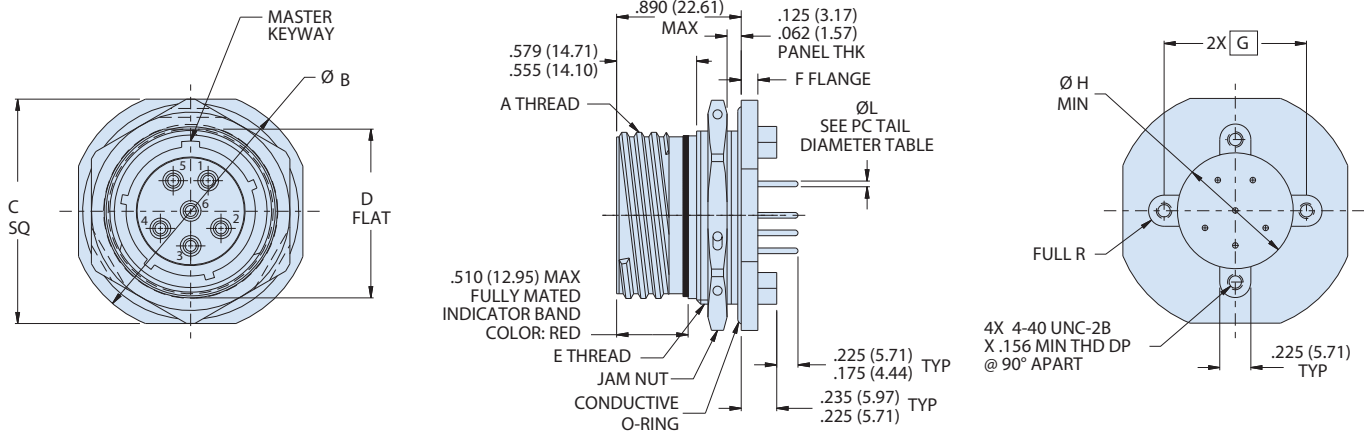
HERMETIC CONNECTORS

## MIL-DTL-38999 Series III Type

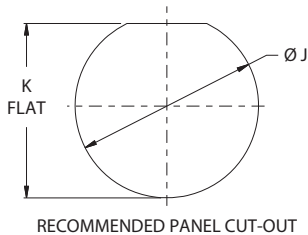
### 233-267 PC tail receptacles with threaded stand-off

HERMETIC CONNECTORS

#### 233-267-DH7 DUAL O-RING JAM-NUT RECEPTACLE



Dimensions									
SHELL SIZE CODE	SHELL SIZE	A THREAD .1P-.3L-TS-2A	ØB	C SQ	D FLAT	E THREAD ISO METRIC	F	G BSC	ØH MIN
A	9	.6250 -	1.500 (38.10)	1.375 (34.92)	.654 (16.61) .645 (16.38)	M17 X 1.0-6g	.122 (3.10) .083 (2.11)	.594 (15.09)	.340 (8.64)
B	11	.7500	1.625 (41.28)	1.500 (38.10)	.755 (19.18) .745 (18.92)	M20 X 1.0-6g		.719 (18.26)	.468 (11.89)
C	13	.8750	1.752 (44.50)	1.626 (41.30)	.942 (23.93) .932 (23.67)	M25 X 1.0-6g		.812 (20.62)	.572 (14.53)
D	15	1.0000	1.937 (49.20)	1.811 (46.00)	1.066 (27.08) 1.056 (26.82)	M28 X 1.0-6g		.906 (23.01)	.705 (17.91)
E	17	1.1875	2.063 (52.40)	1.937 (49.20)	1.191 (30.25) 1.181 (30.00)	M32 X 1.0-6g	.153 (3.89) .114 (2.90)	1.030 (26.16)	.830 (21.08)
F	19	1.2500	2.189 (55.60)	2.063 (52.40)	1.316 (33.43) 1.306 (33.17)	M35 X 1.0-6g		1.150 (29.21)	.934 (23.72)
G	21	1.3750	2.311 (58.70)	2.189 (55.60)	1.441 (36.60) 1.431 (36.35)	M38 X 1.0-6g		1.221 (31.01)	1.055 (26.80)
H	23	1.5000	2.500 (63.50)	2.300 (58.42)	1.566 (39.78) 1.556 (39.52)	M41 X 1.0-6g		1.360 (34.54)	1.160 (29.46)
J	25	1.6250	2.625 (66.68)	2.400 (60.96)	1.691 (42.95) 1.681 (42.70)	M44 X 1.0-6g	1.475 (37.47)	1.307 (33.20)	



Jam-Nut and Dual O-ring Jam-Nut Panel Cut-Out Dimensions				
SHELL SIZE CODE	SHELL SIZE	ØJ		K FLAT
A	9	.703 (17.86); .693 (17.60)	.661 (16.79); .655 (16.64)	
B	11	.835 (21.21); .825 (20.96)	.771 (19.58); .761 (19.33)	
C	13	1.020 (25.91); 1.010 (25.65)	.955 (24.26); .945 (24.00)	
D	15	1.145 (29.08); 1.135 (28.83)	1.085 (27.56); 1.075 (27.30)	
E	17	1.270 (32.26); 1.260 (32.00)	1.210 (30.73); 1.200 (30.48)	
F	19	1.395 (35.43); 1.385 (35.18)	1.335 (33.91); 1.325 (33.65)	
G	21	1.520 (38.61); 1.510 (38.35)	1.460 (37.08); 1.450 (36.83)	
H	23	1.645 (41.78); 1.635 (41.53)	1.585 (40.26); 1.575 (40.00)	
J	25	1.770 (44.96); 1.760 (44.70)	1.710 (43.43); 1.700 (43.18)	