



# USB 2.0 TYPE A 28840 SuperSeal™



## 900-345 Connector with USB Male (Plug) or Female (Receptacle) to Crimp Removable Contacts

H

How to Order	
<b>Part Number Example</b>	<b>900-345 NF D0 -15 2 A 1 H</b>
<b>Basic Number</b>	<b>900-345</b>
<b>Material/Finish</b>	See Material and Finish Options Table
<b>Connector Style</b>	<b>D0</b> = Receptacle, Wall Mount <b>05</b> = Receptacle, Inline <b>07</b> = Receptacle, Jam Nut <b>G6</b> = Plug
<b>Shell Size</b>	<b>15</b>
<b>USB Performance</b>	<b>2</b> = USB 2.0
<b>USB Interface Type</b>	<b>A</b> = Type A
<b>Alternate Polarization</b>	<b>1, 2, 3, 4, 5, and 6</b> See connector specifications page for further information (Per MIL-DTL-28840)
<b>USB Orientation</b>	<b>H</b> = Horizontal <b>V</b> = Vertical

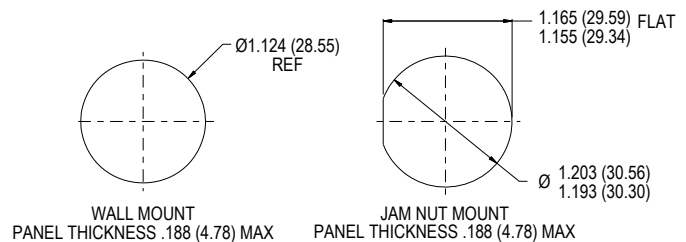
Material and Finish Options		
Code	Material	Finish Description
<b>NF</b>	Aluminum	Cadmium O. D. Over Electroless Nickel (500 hour Salt Spray)
<b>ZN</b>		Zinc Nickel, Olive Drab
<b>MT</b>		Nickel-PTFE, 1000 Hour Grey™
<b>Z1</b>	Stainless Steel	Passivate
<b>ZU</b>		Black Cadmium Over Nickel
<b>AB</b>	Marine Bronze	None (Clean Only)

USB 2.0 Wiring				
Pin	Name	Cable Color (USB)	Description	Recommended Wire Sizes (AWG)
1	(V BUS)	Red	+5 V	22
2	(D-)	White	DATA -	28
3	(D+)	Green	DATA +	28
4	(GND)	Black	GROUND	22

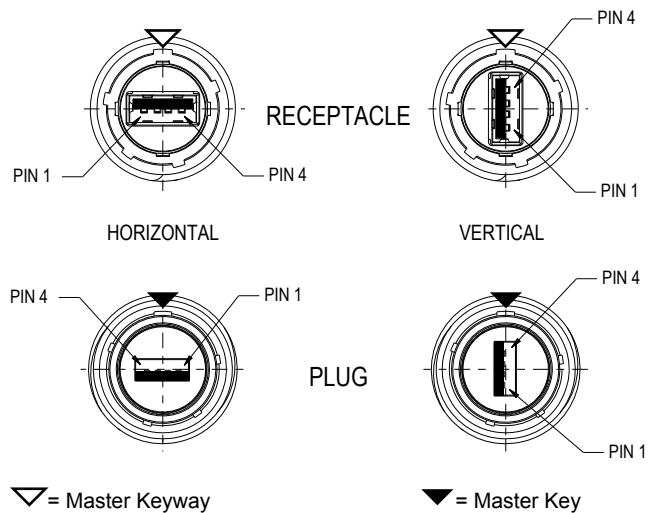
### NOTES

- Connector shall meet general requirements of MIL-DTL-28840. USB connector shall be per USB 2.0 standard.
- Crimp removable contacts conform to: M39029/56-348 - size 22 socket contacts (supplied loose). Connector meets IP67 in the unmated condition
- Connector accessory features per M28840 connector designator G. Consult factory for crimp tool and accessory selection.

### RECOMMENDED PANEL CUT-OUTS



### USB ORIENTATION OPTIONS



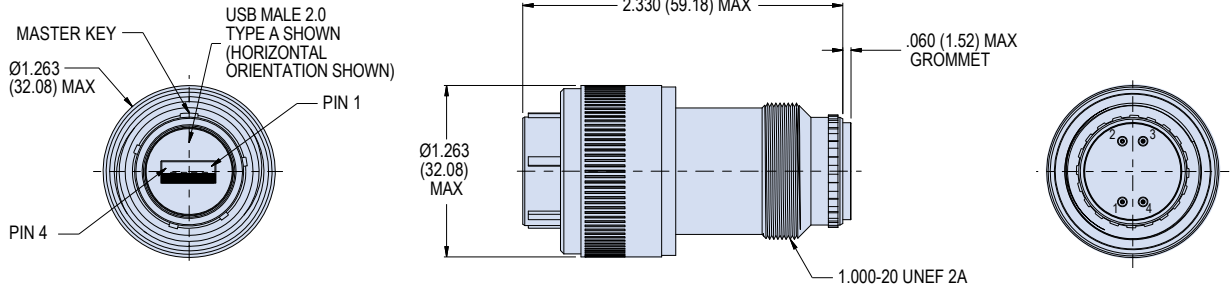


USB 2.0 TYPE A  
28840 SuperSeal™

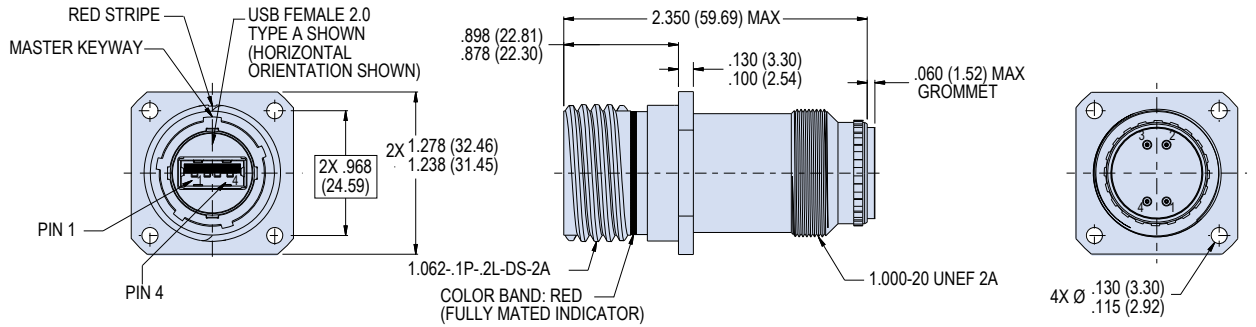


900-345 Connector with USB Male (Plug) or Female (Receptacle) to Crimp Removable Contacts

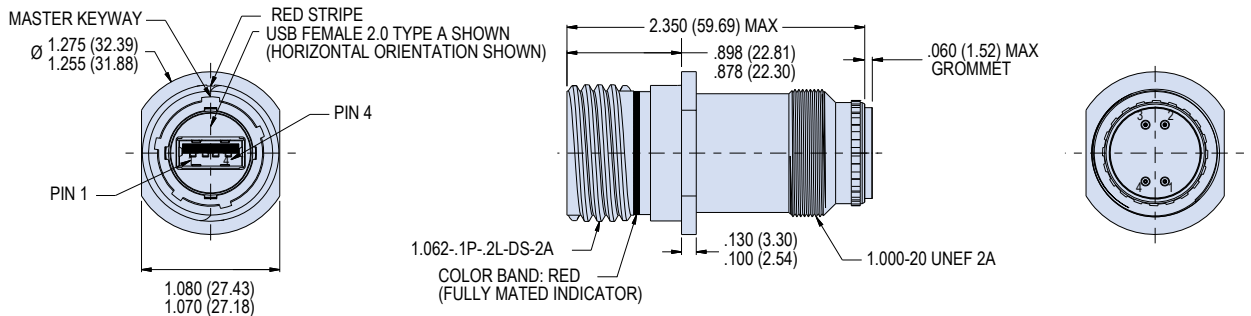
**G6 - PLUG**



**D0 - WALL MOUNT RECEPTACLE**



**05 - RECEPTACLE, INLINE**



**07 - JAM NUT MOUNT RECEPTACLE**

