

HIGH-TEMPERATURE TOLERANT ThermaRex HT Series 79 Micro-Crimp



High-Performance Crimp-Contact How To Order / Contact Arrangements



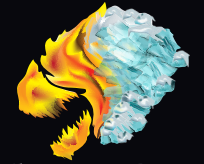
How To Order ThermaRex Series 79 connectors					
Sample Part Number	797	-756	S	H-29P7	E
Series / Basic Part No.	797 High-temperature ThermaRex Series 79 crimp-contact rectangular				
Connector Type	-756 = Plug -757 = Receptacle				
Contact Type	S = Socket (for -756 Plug connectors) P = Pin (for -757 Receptacle connectors)				
Insert Arrangement	Per 799-009. See insert arrangement tables below				
EMI Spring Option	E = With EMI spring N = No EMI spring (Only available on plug connectors)				

- Service rating up to 300°C
- Vibration-resistant threaded coupling
- High-temperature ceramic insulators and silicone seals
- Durable stainless steel construction
- No EMI groove and spring option for connector with insert arrangements G-33 or G-13P3.

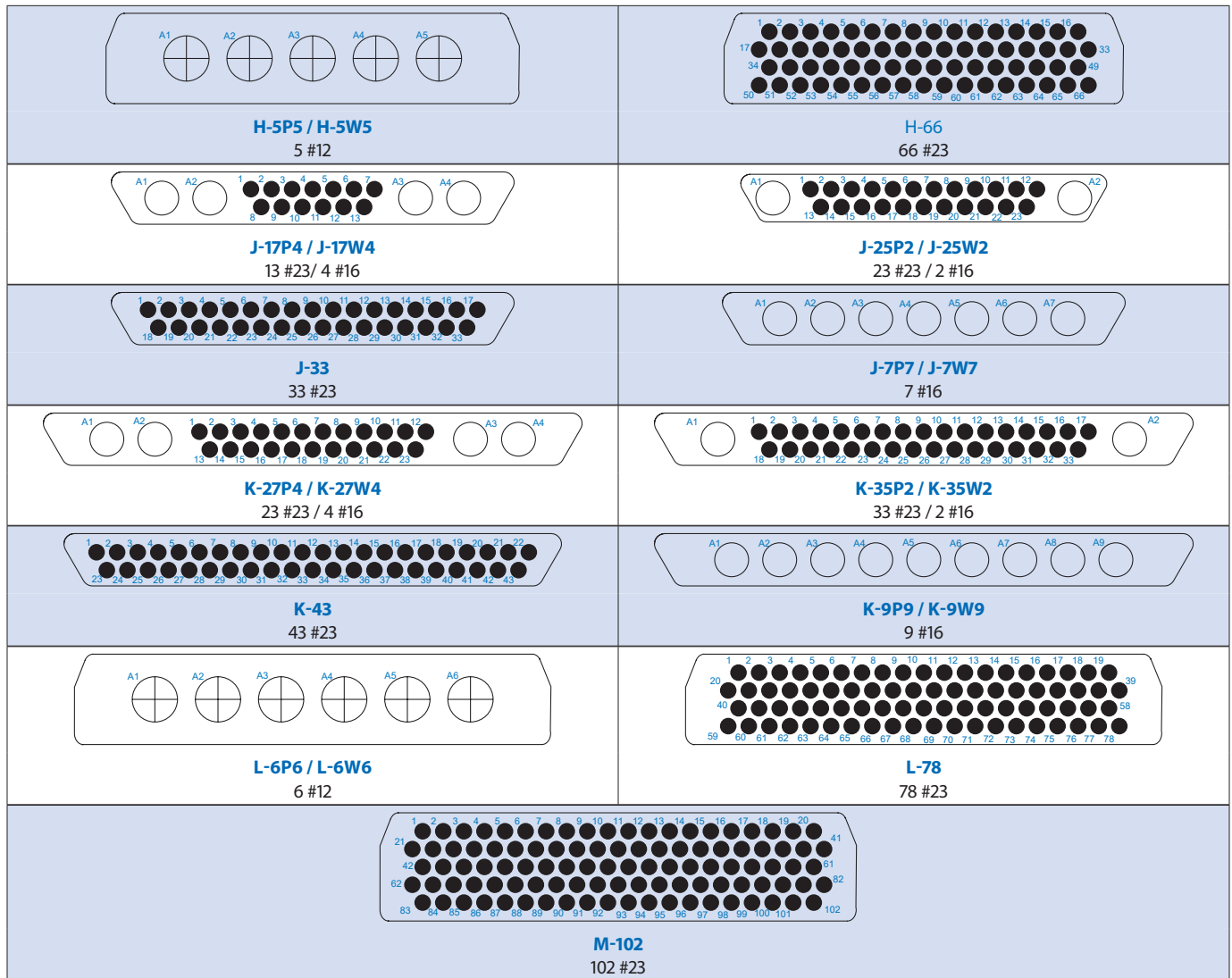
ThermaRex High-Temperature Crown Ring Contact Arrangements (pin mating face shown)				
A-5 5 #23	B-2P2 / B-2W2 2 #16	B-9 9 #23	C-13 13 #23	D-15 15 #23
D-3P3 / D-3W3 3 #16	D-7P2 / D-7W2 5 #23 / 2 #16	E-11P2 / E-11W2 9 #23 / 2 #16	E-19 19 #23	
E-7P3 / 4 #23 3 #16	F-15P2 / F-15W2 13 #23 / 2 #16	F-23 23 #23		
F-5P5 / F-5W5 5 #16			G-33 33 #23	
H-10P4 / H-10W4 6 #23 / 4 #12			H-29P7 22 #23 / 7 #16	
H-36P2 / H-36W2 34 #23 / 2 #12			H-54P2 / H-54W2 52 #23 / 2 #16	

HIGH-TEMPERATURE TOLERANT ThermaRex HT Series 79 Micro-Crimp

High-Performance Crimp-Contact How To Order / Contact Arrangements



ThermaRex™
HT



MATERIAL / FINISH NOTES

Housing, Float Mount Hardware, Guide Socket - Stainless Steel / Passivated
Pin and Socket Contact - Copper Alloy / Gold Plated
Socket Hood - Stainless Steel / Passivated
Insulators - High Grade Ceramic / N/A
Grommet and Interfacial Seal - High Temperature Silicone / N/A
Retainer Clip Stainless Steel / N/A
EMI Spring - Stainless Steel / Gold Plated

ELECTRICAL PERFORMANCE

Contacts: Size 23 = 5 Amps Max. / Size 16 = 13 Amps Max./ Size 12 = 23 Amps Max.
DWV - 500 Vac, with 5 Milliampere Max. leakage
Insulation Resistance Resistance - 5,000 Megohms Max.

Operating Temperature: -65°C to +300°C

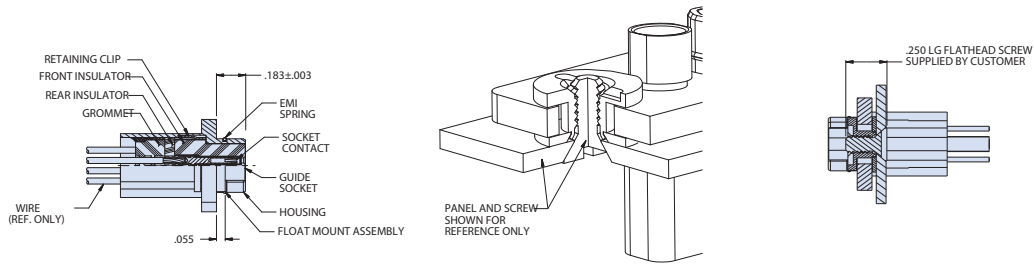
BLIND MATE MISALIGNMENT ALLOWANCE

Shell Sizes A, B, C, D, E, F, G, J, K:
±.040 (1.02) Allowable misalignment from centerline
Shell Sizes H, L:
±.040 (1.02) Allowable misalignment from centerline
Shell Size M:
±.050 (1.27) allowable misalignment from centerline

HIGH-TEMPERATURE TOLERANT ThermaRex HT Series 79 Micro-Crimp High-Performance Crimp-Contact 797-756 Plug Details



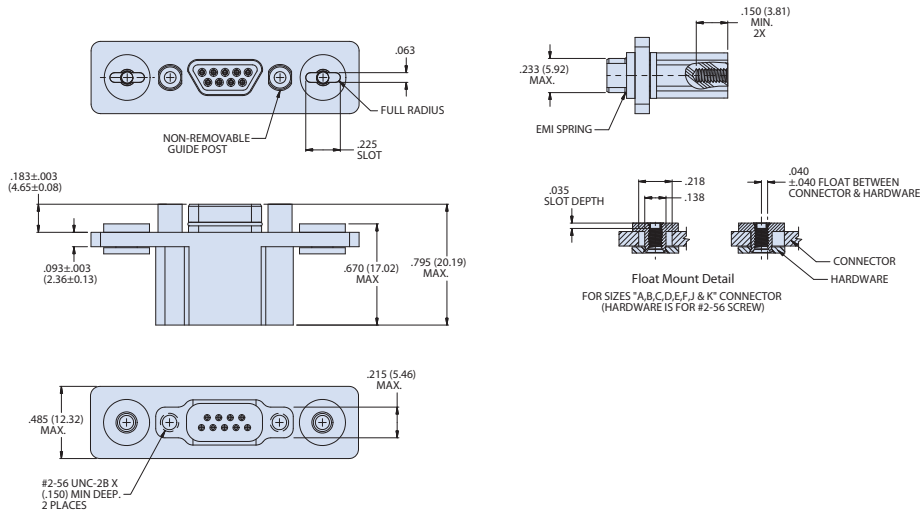
CROSS-SECTIONAL VIEW AND HARDWARE



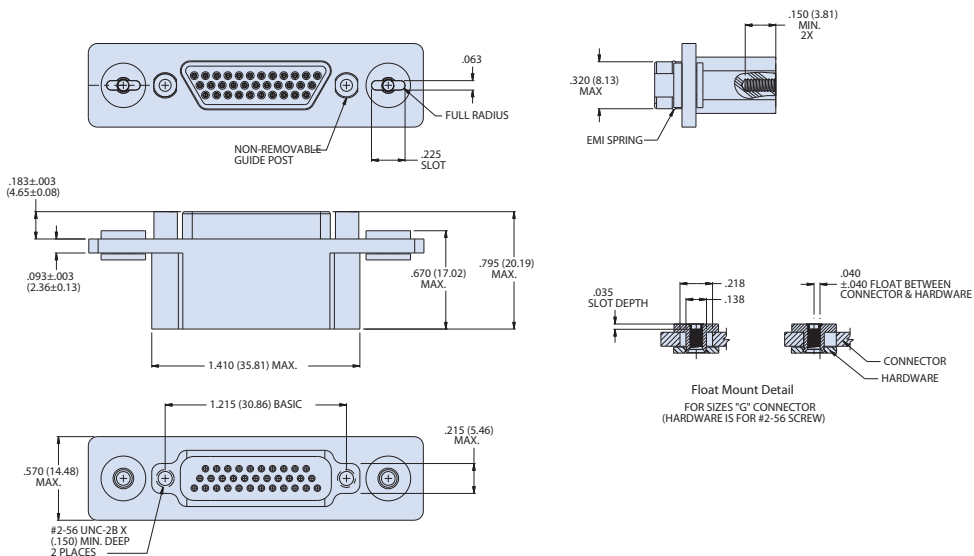
CONNECTOR SUPPLIED WITH NON-REMOVABLE GUIDE POST FOR BLIND MATE APPLICATION.

FLOAT MOUNT BUSHING HAS SHELL SIZES "M", "L" & "H" WITH #4-40 UNC-2B THREAD. ALL OTHER SIZES HAVE #2-56 UNC-2B THREAD.

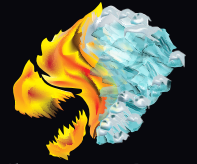
SHELL SIZES A, B, C, D, E, F, J, K



SHELL SIZE G

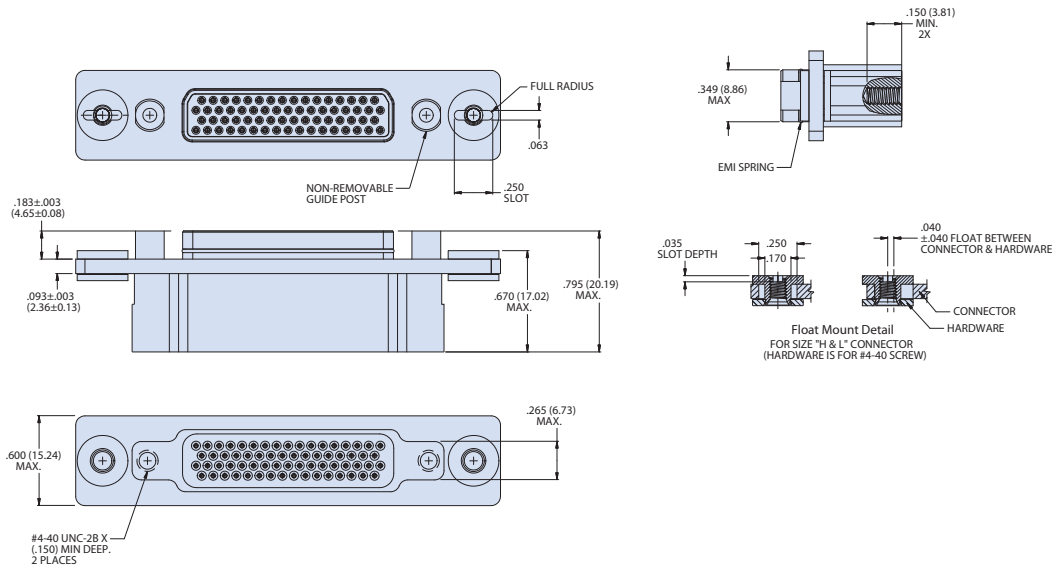


HIGH-TEMPERATURE TOLERANT ThermaRex HT Series 79 Micro-Crimp High-Performance Crimp-Contact 797-756 Plug Details

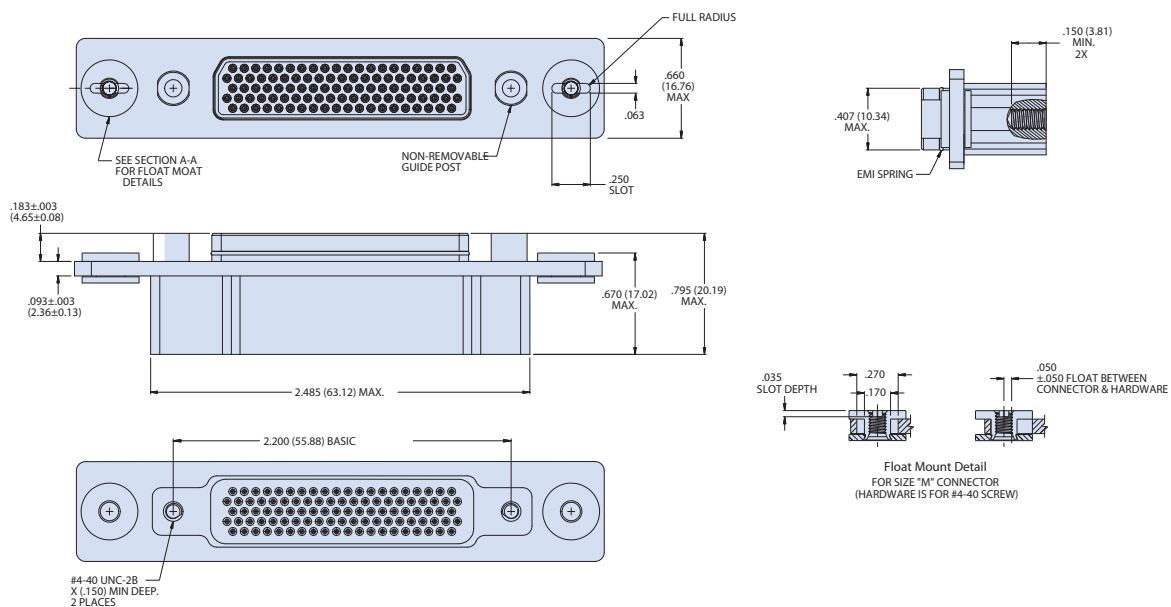


ThermaRex™
HT

SHELL SIZES H AND L



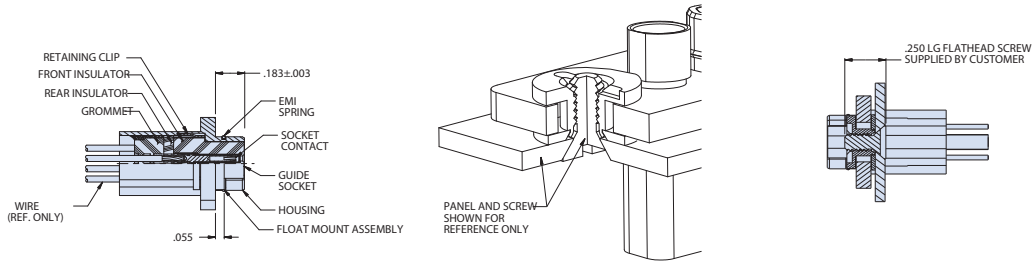
SHELL SIZE M



HIGH-TEMPERATURE TOLERANT ThermaRex HT Series 79 Micro-Crimp High-Performance Crimp-Contact 797-757 Receptacle Details

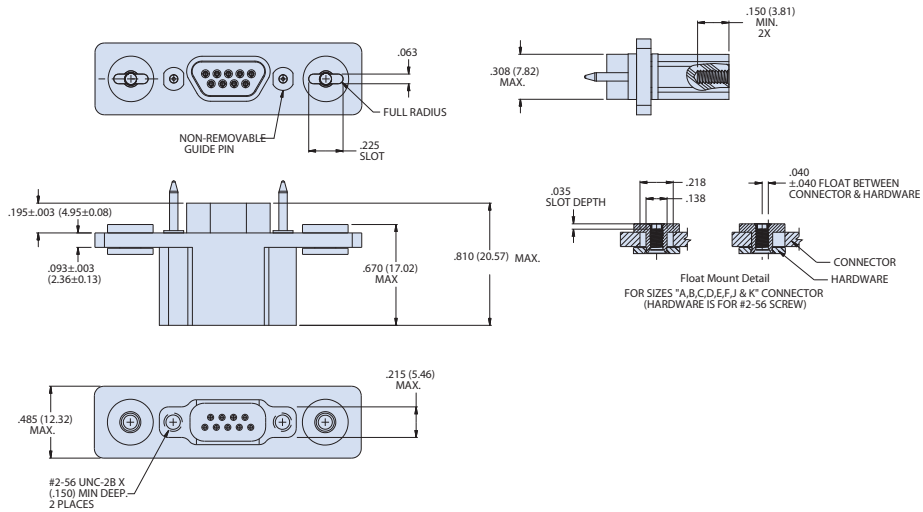


CROSS-SECTIONAL VIEW AND HARDWARE

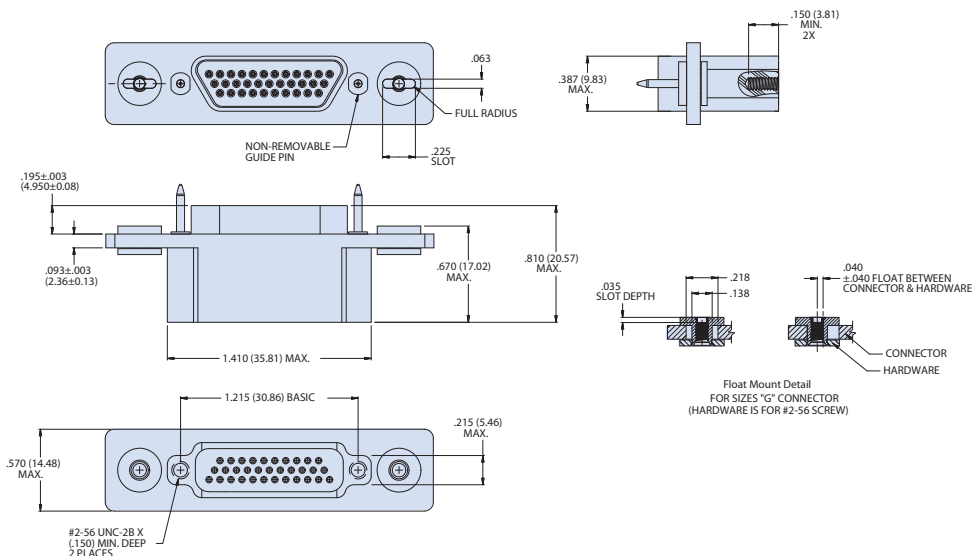


CONNECTOR SUPPLIED WITH NON-REMOVABLE GUIDE POST FOR BLIND MATE APPLICATION.
FLOAT MOUNT BUSHING HAS SHELL SIZES "M", "L" & "H" WITH #4-40 UNC-2B THREAD. ALL OTHER SIZES HAVE #2-56 UNC-2B THREAD.

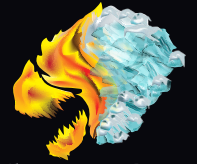
SHELL SIZES A, B, C, D, E, F, J, K



SHELL SIZE G

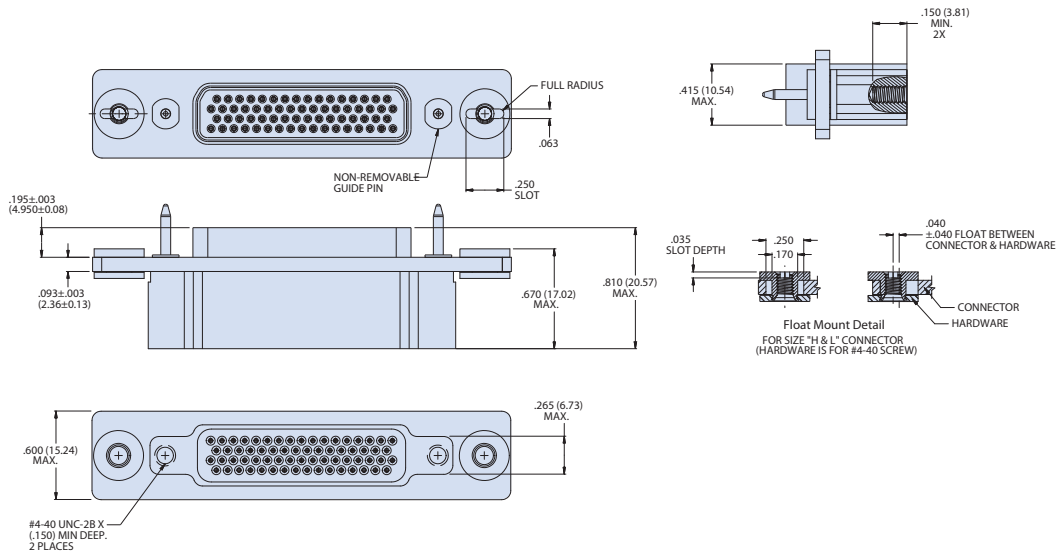


HIGH-TEMPERATURE TOLERANT ThermaRex HT Series 79 Micro-Crimp High-Performance Crimp-Contact 797-757 Receptacle Details



ThermaRex™
HT

SHELL SIZES H AND L



SHELL SIZE M

