



SERIES 70 10K PSI / 700 BAR / 7000 M

# SeaKing™ High-Pressure Subsea Connectors, Cables, and PBOF Assemblies

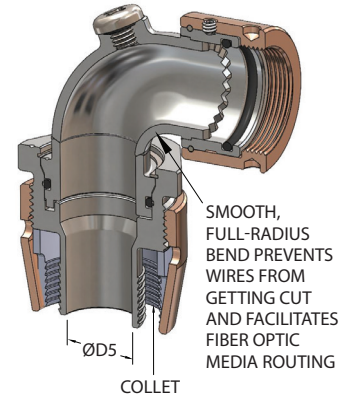


## PBOF assembly fittings and accessories

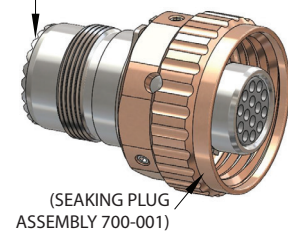
### REVOLUTIONARY PBOF SWIVEL HOSE ATTACHMENT ACCESSORIES

Hose barb fittings for PBOF assemblies are the perennial weak link in subsea oil & gas applications. Kinked and twisted hoses, leaky fittings, corroded hose clamps, and general poor performance characterize most existing solutions. The Glenair PBOF swivel hose attachment for SeaKing™ connectors solves these problems and more. Designed from the sea floor up to perform flawlessly and reliably, this revolutionary attachment puts an end to the long list of field maintenance problems associated with oil-filled cable applications.

- Straight, 45°, and 90° “full radius” angle and profile hose routing
- Hose angle adjustment feature eliminates risk of oil leakage
- Corrosion-resistant materials used throughout
- Threaded couplers with safety set-screws for fail-safe leak and decoupling protection—no special tools required for assembly
- Compact PBOF compression fitting with 340° hose swivel action
- Support for the broad range of hose diameters and wall thicknesses

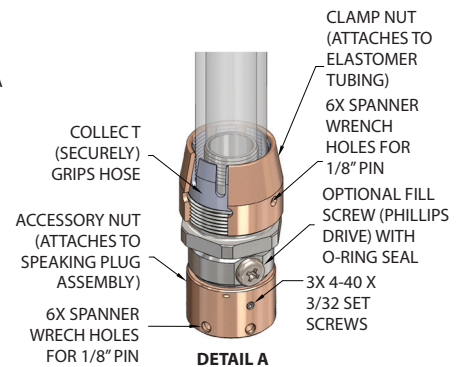
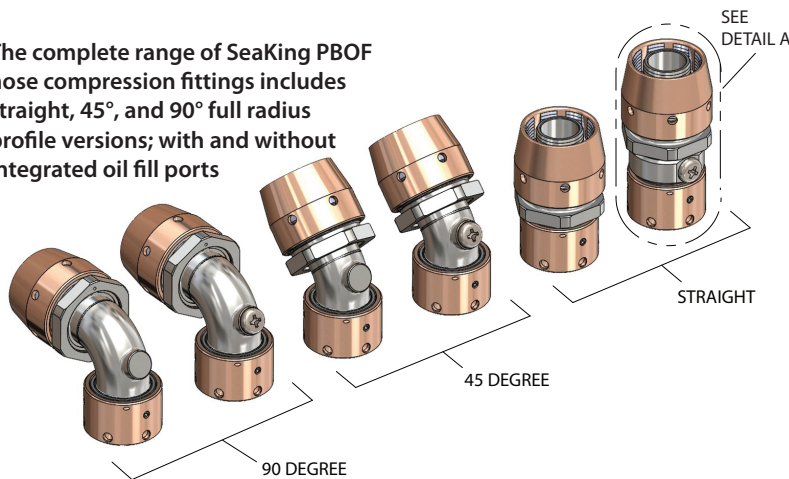


ACCESSORY TEETH MESH WITH TEETH ON BACK END OF PLUG ASSEMBLY, ALLOWING TUBING END OF PBOF TO BE CLOCKED IN DESIRED DIRECTION



SeaKing PBOF Attachment Accessory Kits - How To Order	
Sample Part Number	709-123 K -L 1 S
Product Series	709-123 = SeaKing™ PBOF accessory
Shell Size	G, K, M, O, Q
Angular Function	L = Straight M = 45° N = 90°
Fill Port Option	0 = No fill port 1 = With fill port
Swivel/Fixed Option	S = Swivel F = Fixed

The complete range of SeaKing PBOF hose compression fittings includes straight, 45°, and 90° full radius profile versions; with and without integrated oil fill ports



SUBSEA/DEEPWATER: SEAKING™