

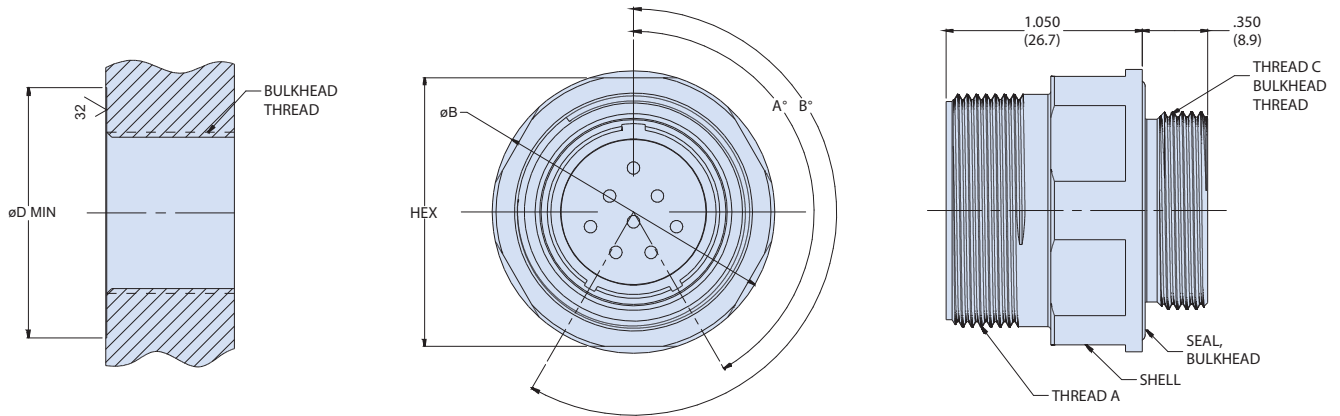


SERIES 701 SeaKing™ Junior High-Density PEEK Subsea Connectors



701-040 PEEK Bulkhead Connector Receptacle with crimp removable contacts

SeaKing Plug - How To Order						
Sample Part Number	701-040	-17-08	K	P	1	N
Product Series	701-040 = SeaKing Junior					
Shell Size-Contact Arrangement	See Contact Arrangements table					
Barrel Material	K = 30% Reinforced PEEK					
Contact Style	A = Pin Insert (No Contacts Included) B = Socket Insert (No Contacts Included) P = Pin S = Socket					
O-Ring Material	1 = 90 Shore Nitrile 2 = 90 Shore Vitron					
Key Position	A, B, C, D, E (See table)					



DIMENSIONS										
Shell Size	Thread A	B MAX		Hex		Thread C	D Min		Bulkhead Seal	Bore Seal
		inch	mm	inch	mm		inch	mm		
09	0.7500-20 UNEF-2A	1.025	26.0	15/16	23.8	0.5625-20 UN-2A	1.030	26.2	2-018	2-014
11	0.8750-20 UNEF-2A	1.150	29.2	1 1/16	27.0	0.6875-20 UN-2A	1.160	29.5	2-020	2-016
13	1.0000-20 UNEF-2A	1.275	32.4	1 3/16	30.2	0.8125-20 UNEF-2A	1.310	33.3	2-022	2-018
15	1.1250-20 UN-2A	1.410	35.8	1 5/16	33.3	0.9375-20 UNEF-2A	1.430	36.3	2-024	2-020
17	1.2500-20 UN-2A	1.525	38.7	1 7/16	36.5	1.0625-20 UN-2A	1.560	39.6	2-026	2-022
19	1.3750-20 UN-2A	1.650	41.9	1 9/16	39.7	1.1875-20 UN-2A	1.680	42.7	2-028	2-024
21	1.5000-20 UN-2A	1.775	45.1	1 11/16	42.9	1.3125-20 UN-2A	1.810	46.0	2-029	2-026
23	1.6250-20 UN-2A	1.900	48.3	1 13/16	46.0	1.4375-20 UN-2A	1.950	49.5	2-030	2-028
25	1.7500-20 UN-2A	2.025	51.4	1 15/16	49.2	1.5625-20 UN-2A	2.070	52.6	2-031	2-029

NOTES

Pressure rating: mated condition - 5,000 PSI, tested per ISO 13628-6.

Materials tested to:

- Salt spray, per MIL-STD-202 method 101
- Humidity, per MIL-STD-202 method 101
- Thermal cycle, per EIA-455-71

Single O-ring sealing.

MATERIAL/FINISH

Receptacle shell: 30% reinforced PEEK

Contacts: Copper alloy, gold plated

Insulator: High grade rigid dielectric

Interfacial seal (pin inserts only) & grommet: Fluorosilicone

ALTERNATE KEY POSITIONS

Position	A°	B°
N	150°	210°
A	75°	210°
B	95°	230°
C	140°	275°
D	75°	275°
E	95°	210°