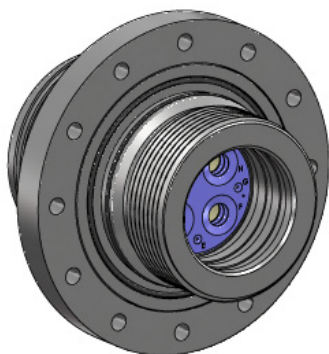




# SeaKing™ Junior Dry-Mate Subsea Connectors



## 707-0498-6 Flange Connector Receptacle (FCR)



HOW TO ORDER	
Sample Part Number	707-0498 -6 -52 -36 B8 G -Z1 P N
Product Series	707-0498 = Flange Connector Receptacle
Connector Type	1 = CCP 5 = CCR 6 = FCR 7 = BCR
Shell Size	See Dimensions table
Insulator Size	See Dimensions table
Arrangement	
Grommet Designator	G = Grommet Seal Included Leave Blank for No Grommet Seal
Shell and Flange Material	Z1 = Stainless Steel, Passivated TA = Titanium with Anodic Coating See Component Materials table
Insert/Contact Designator	P = Pin Insulator with Pin Contacts Included S = Socket Insulator with Socket Contacts Included A = Pin Insulator Less Pin Contacts B = Socket Insulator Less Socket Contacts
Polarization	See Polarization table

### NOTES

#### Electrical rating:

- Voltage: 600 vdc / 425 vac
- Current: see Current Ratings table

#### Pressure rating

- Mated condition: 1,450 psi (1,000 meters depth)
- Open face: not rated

Contact installation: "crimp and poke" contacts are installed at the cable assembly level. Contacts are provided loose at this level.

Assembly is identified here with "06324 Glenair", part number and date code.

Packaging: product is fitted with dust caps and packaged with packing foam within a cardboard box.

### MATERIAL COMPOSITION

Shell and flange: see part number development

Insulators: glass-reinforced P.E.E.K.

O-ring: nitrile

Interfacial seal and grommet seal: fluorosilicone

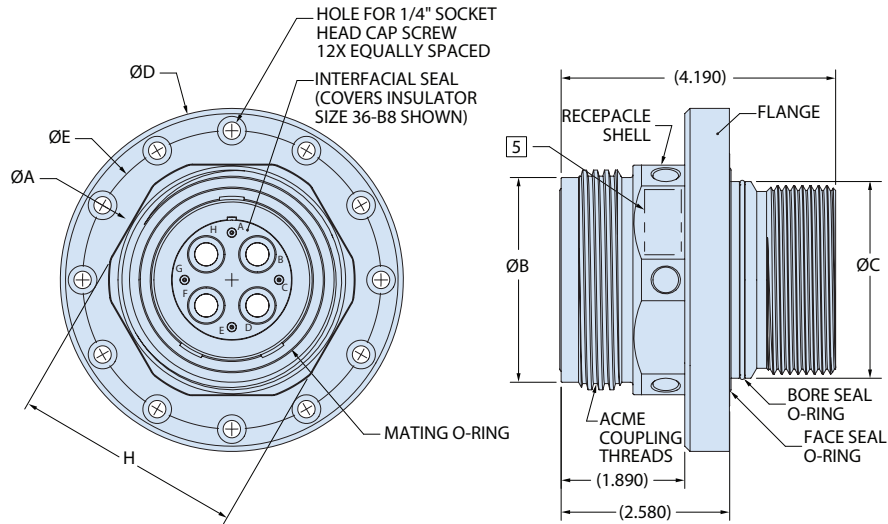
INSERT ARRANGEMENTS						
Insert Arr.	Contact Size and Quantity					
	#16	#12	#8	#4	#1/0	#2/0
18-2			2			
18-4		2	2			
20-3			3			
20-4			4			
20-5		2	3			
20-7	4		3			
24-1					1	
24-2				2		
24-3				3		
24-5			5			
24-6		4		2		
24-A1						1
24-A6		3		3		
28-12	6		6			
28-15	15					
28-4				4		
28-8		1	7			
28-9	5			4		
32-12	2		10			
32-2					2	
32-20	1	19				
32-3					3	
32-4				2	2	
32-5				5		
32-6		3			3	
32-7				7		
32-A22		22				
36-16	3		13			
36-2						2
36-4					4	
36-9	14	14	2	1		
36-A8				8		
36-B8	4				4	
40-10	16		9	4		
40-21			21			
40-5					5	

CURRENT RATINGS	
Contact Size	AMPS
16	13
12	23
8	60
4	100
1/0	175



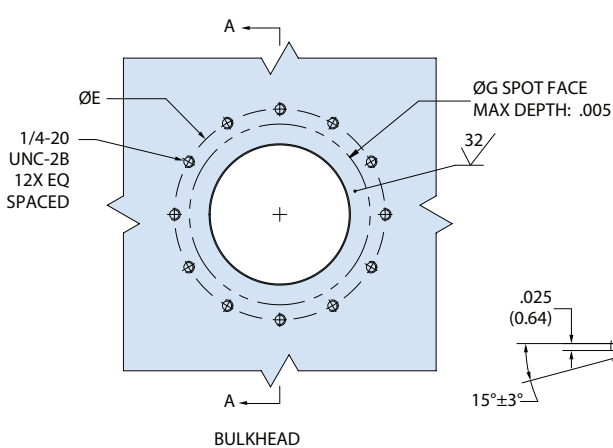
# SeaKing™ Junior Dry-Mate Subsea Connectors

## 707-0498-6 Flange Connector Receptacle (FCR)

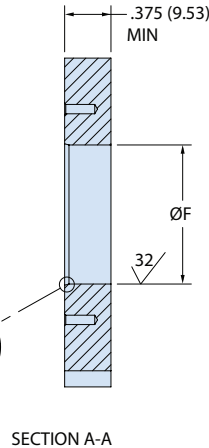


### DIMENSIONS

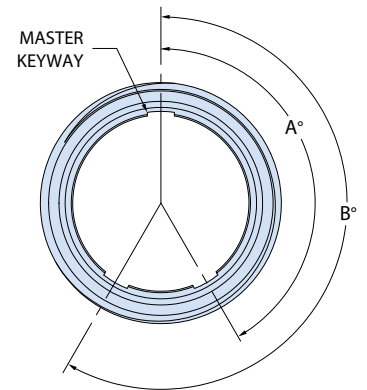
Shell Size	Insulation Size	ØA		ØB		ØC +.002 -.002		ØD		ØE		H		Mating O-Ring Size	Bore Seal O-Ring Size	Face Seal O-Ring Size
		inch	mm	inch	mm	inch	mm	inch	mm	inch	mm	inch	mm			
44	28	3.230	82.04	1.620	41.15	2.498	63.45	4.730	120.14	4.050	102.87	3.000	76.20	2-034	2-036	2-038
48	32	3.480	88.39	2.870	72.90	2.748	69.80	4.980	126.49	4.300	109.22	3.250	82.55	2-036	2-038	2-040
52	36	3.730	94.74	3.120	79.25	2.998	76.15	5.230	132.84	4.550	115.57	3.500	88.90	2-038	2-040	2-042
56	40	3.980	101.09	3.370	85.60	3.248	82.50	5.480	139.19	4.800	121.92	3.750	95.25	2-040	2-042	2-044



BULKHEAD



SECTION A-A



### BULKHEAD DIMENSIONS

Shell Size	ØE		ØF +.002 -.002		ØG Minimum	
	inch	mm	inch	mm	inch	mm
44	4.050	102.87	2.500	63.50	3.400	86.36
48	4.300	109.22	2.750	69.85	3.650	92.71
52	4.550	115.57	3.000	76.20	3.900	99.06
56	4.800	121.92	3.250	82.55	4.150	105.41

### ALTERNATE KEY POSITIONS

Position	A°	B°
N	150°	210°
A	75°	210°
B	95°	230°
C	140°	275°